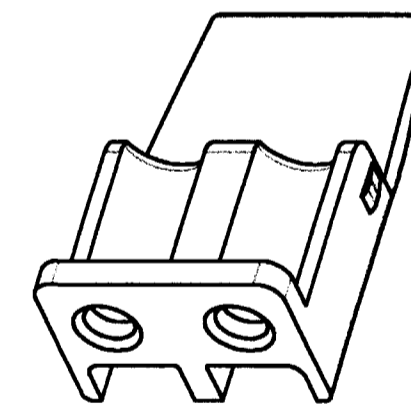
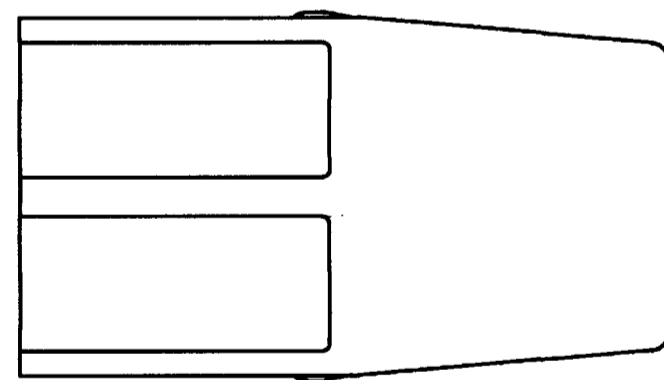
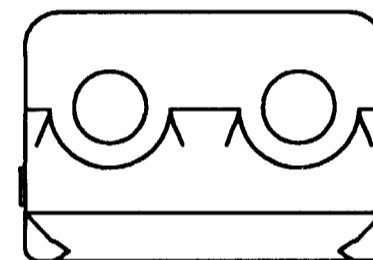
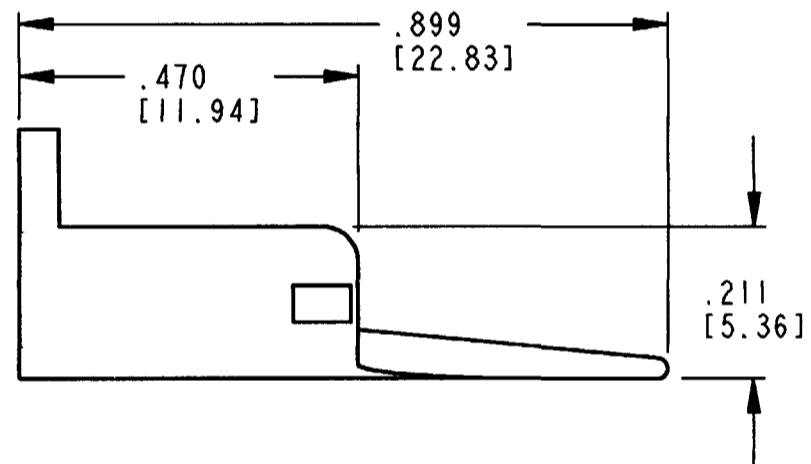
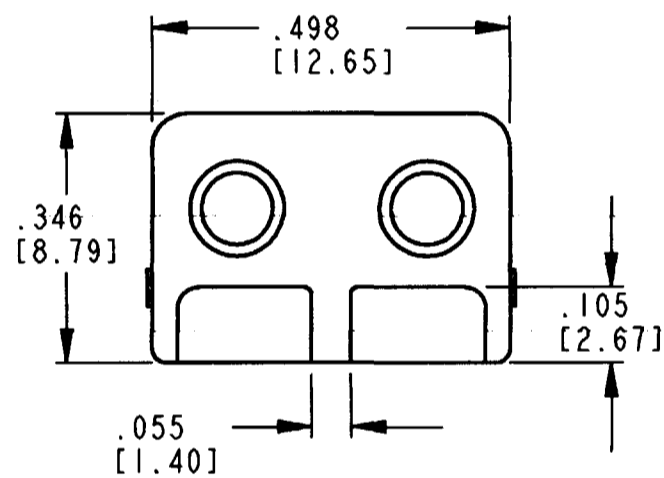
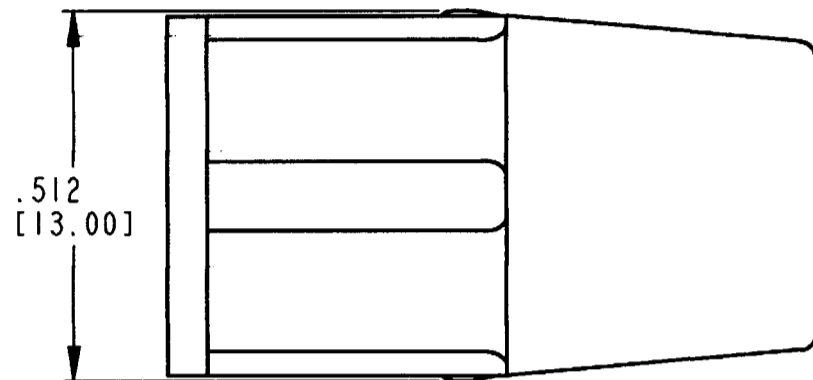


|     |    |       |
|-----|----|-------|
| REV | NC | WP-2S |
|-----|----|-------|

| REVISIONS |                             |         |          |
|-----------|-----------------------------|---------|----------|
| SYM       | DESCRIPTION                 | DATE    | APPROVED |
| NC        | NEW RELEASE PER E.O. P15586 | 3-31-98 | RDR      |
|           |                             |         |          |
|           |                             |         |          |



SCALE 3.0

- NOTES: 1. DIMENSIONS ARE IN INCHES [MM].
2. DIMENSION TOLERANCE:  $\pm .015$  [ .38 ].
3. THIS PART MATES WITH DTP06-2S PLUG.
4. COLOR: ORANGE.

| SIGNATURE & DATE |                          |
|------------------|--------------------------|
| DR               | V. TOMSA MAR-18-98.      |
| CHK              | D. Meyer 3/31/98         |
| PE               | Robert J. P... MAR-31-98 |
| APPD             | R. R... 3/31/98          |
| SCALE            | 4:1                      |
| WT               |                          |

WEDGE LOCK  
FOR 2 CONT. PLUG  
HOUSING  
DTP SERIES

ENVELOPE

CP EP045  
MATERIAL CODE  
**The Deutch Company**  
DEUTSCH I.P.D.  
3850 INDUSTRIAL AVE.  
HEMET, CALIF. 92545

**B**  
DWG SIZE

**WP-2S**

CODE 11139 SHEET | OF |