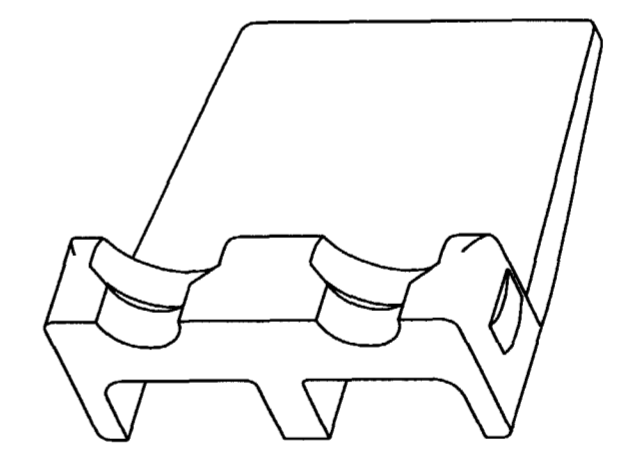
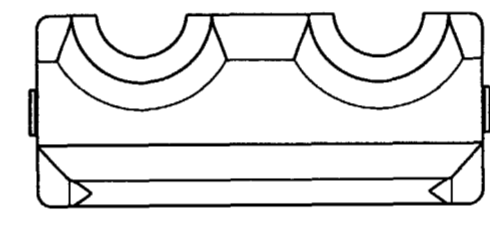


REV  
A WP-2P

REVISIONS			
SYM	DESCRIPTION	DATE	APPROVED
NC	NEW RELEASE PER E.O. P15586	3-31-98	RDR
A	REVISED PER E.O. P19846	4-29-08	RDR



- NOTES:
1. DIMENSIONS ARE IN INCHES [MM]
  2. DIMENSION TOLERANCE:  $\pm .015$  [ .38 ].
  3. THIS PART MATES WITH DTP04-2P RECEPTACLE
  4. COLOR: ORANGE.

SIGNATURE & DATE	
DR	V. TOMSA MAR-18-98.
CHK	<i>[Signature]</i> 4/29/08
PE	<i>[Signature]</i> 4/29/08
APPD	<i>[Signature]</i> 4/29/08
SCALE	5:1 PWT

WEDGE LOCK  
FOR 2 CONT. RECPT.  
HOUSING  
DTP SERIES

ENVELOPE

EP	MATL. CODE
3850 INDUSTRIAL AVE. HEMET, CA 92545	
<b>DEUTSCH INDUSTRIAL</b>	
<b>B</b>	<b>WP-2P</b>
DWG SIZE	CODE 11139 SHEET 1 OF 1