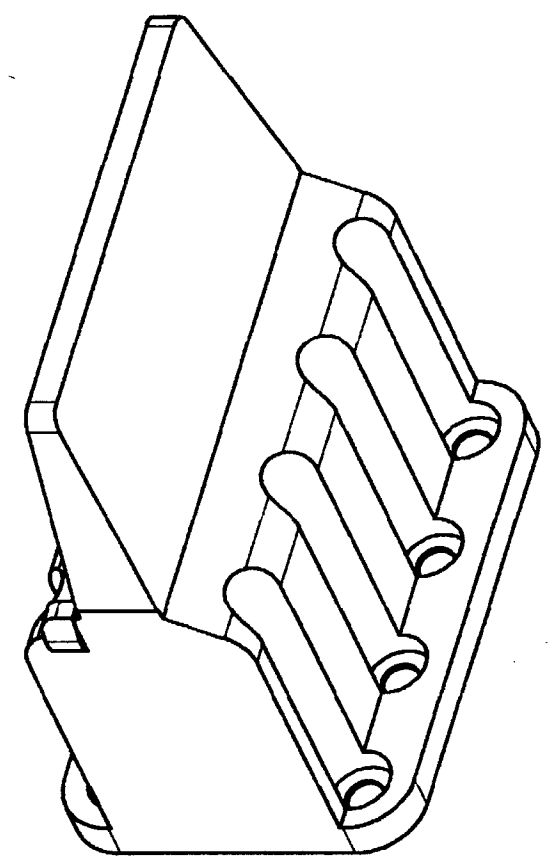
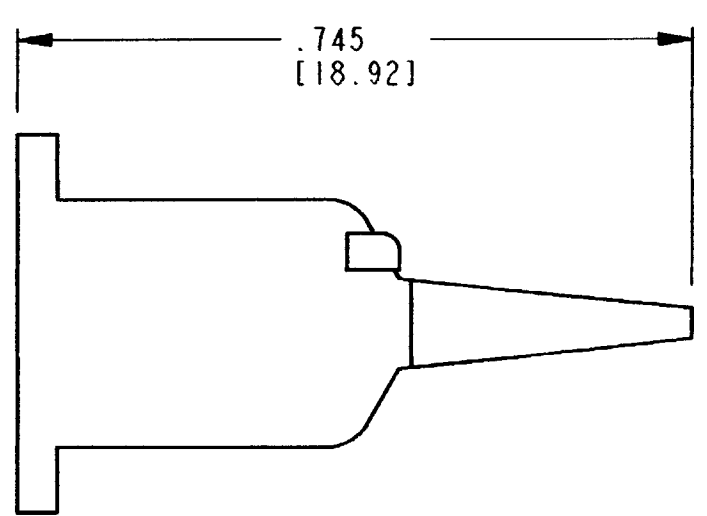
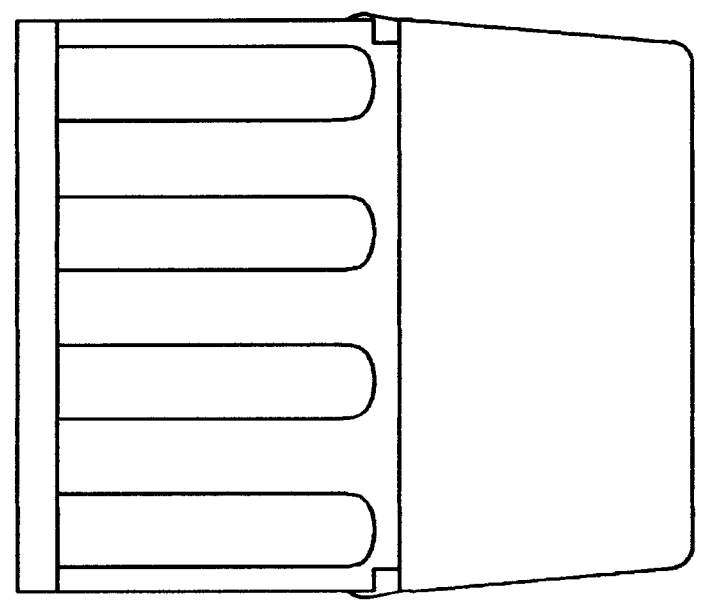
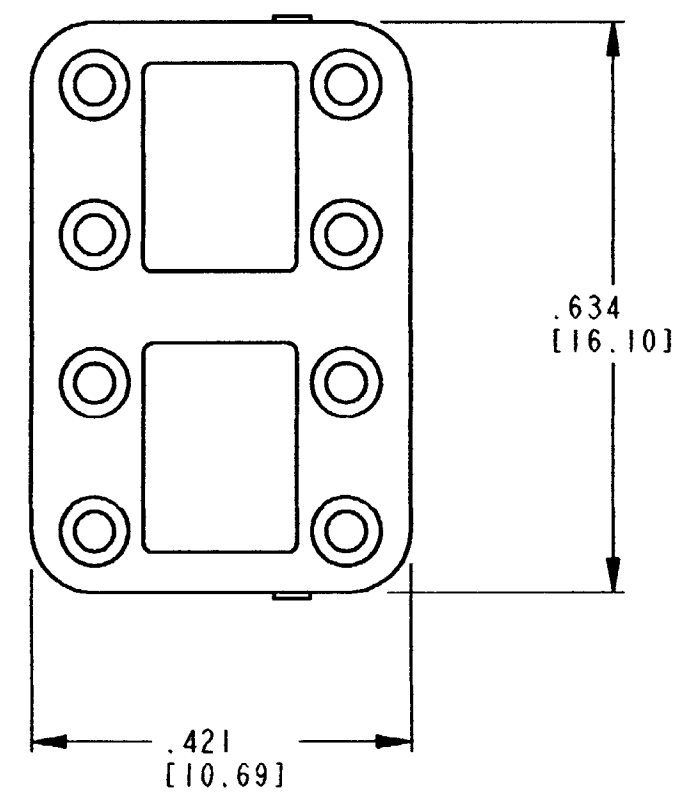


REV
A WM - 8S

REVISIONS			
SYM	DESCRIPTION	DATE	APPROVED
NC	NEW RELEASE PER E.O. A14914	10-27-95	R.D.R.
A	REDRAWN & REVISED PER E.O. P19530	5-2-07	RDR



- 4. MATERIAL: PLASTIC; COLOR: ORANGE.
- 3. THIS WEDGE LOCK MATES WITH DTM06-08S*-**** PLUG.
(* = A,B,C,D KEYS; **** = ALL MODIFICATIONS).
CONSULT FACTORY FOR MODS.
- 2. DIMENSION TOLERANCE: $\pm .025$ [.64].
- 1. DIMENSIONS ARE IN INCHES [mm].

NOTES: UNLESS OTHERWISE SPECIFIED

SIGNATURE & DATE	
DR	J. APOSTOL 25 APR 2007
CHK	[Signature] 5/1/07
PE	D. Meyer 4/25/07
APPD	R. Reed 5-2-07
SCALE	5:1 WT

WEDGE LOCK FOR
8 CONT. PLUG
HOUSING
DTM SERIES

ENVELOPE

EP	MATL. CODE
The Deutsch Company DEUTSCH I.P.D. 3850 INDUSTRIAL AVE. HEMET, CALIF. 92545	
B	WM - 8S
DWG SIZE	CODE 11139 SHEET OF