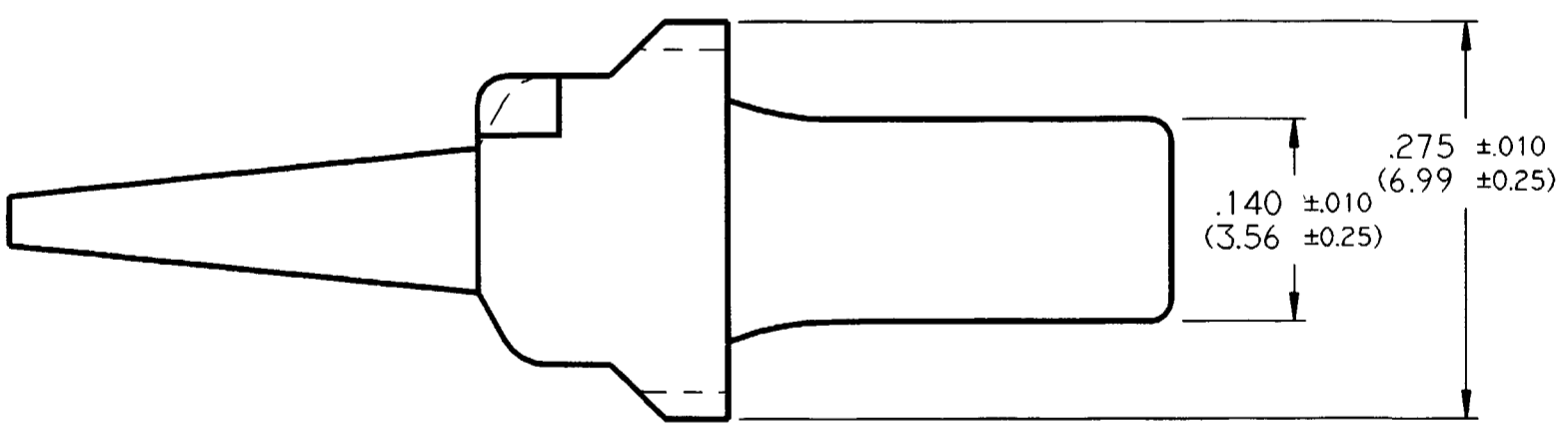
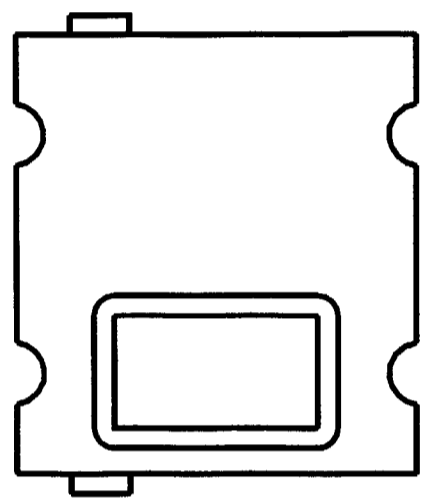
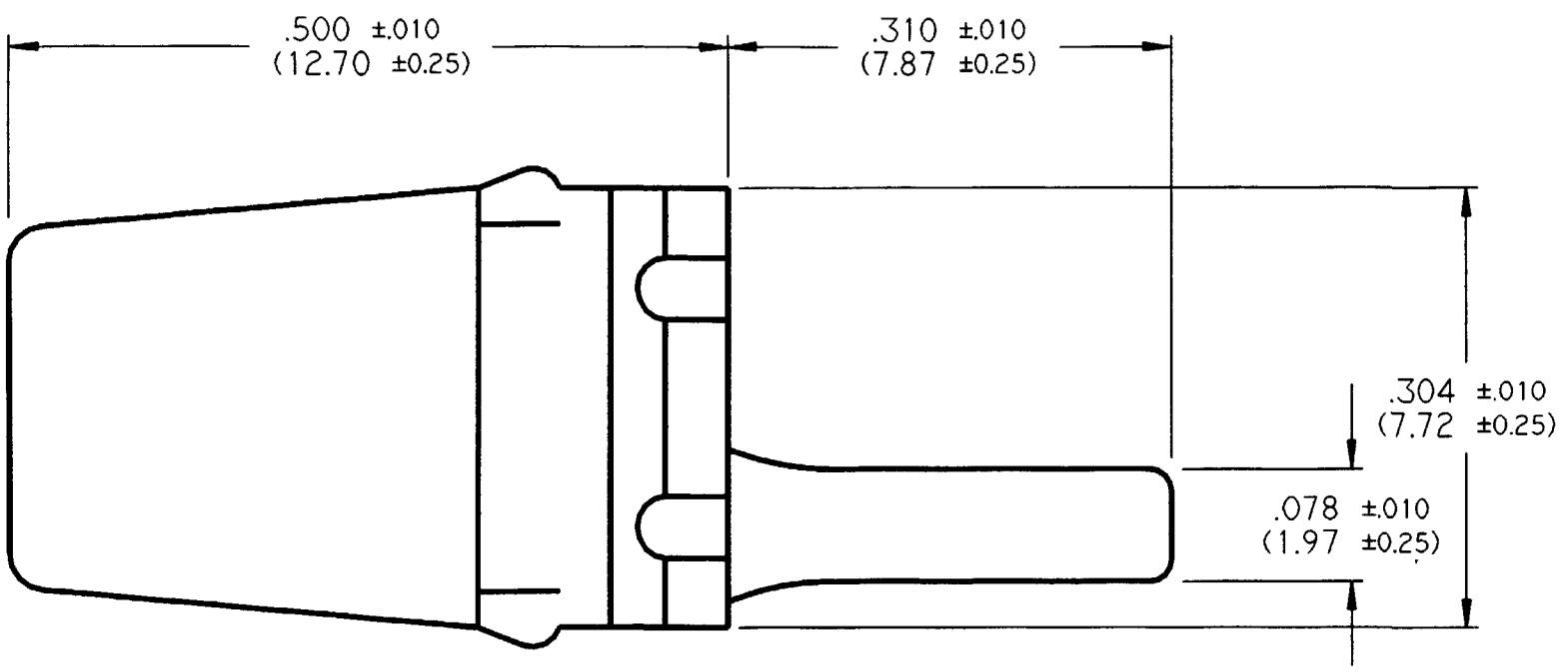


REV NC **WM - 4P**

REVISIONS			
SYM	DESCRIPTION	DATE	APPROVED
NC	NEW RELEASE PER E.O. A14914	10-27-95	RDR



- NOTES:
4. COLOR = ORANGE.
 3. THIS PART MATES WITH DTM04-4P RECEPTACLE.
 2. DIMENSIONS ARE FOR REFERENCE ONLY.
 1. DIMENSIONS ARE IN INCHES (METRIC).

SIGNATURE & DATE	
DR	V.TOMSA OCT-23-95.
CHK	
PE	<i>Handwritten signature</i>
APPD	<i>R. Reel 10-27-95</i>
SCALE 8:1	WT

**WEDGE LOCK FOR
4 PIN RECPT.
HOUSING
DTM SERIES**

ENVELOPE

CP	MATL. CODE
The Deutsch Company DEUTSCH I.P.D. 37140 INDUSTRIAL AVE. HEMET, CALIF. 92343	
B	WM - 4P
DWG SIZE	CODE 11139 SHEET 1 OF 1