

4

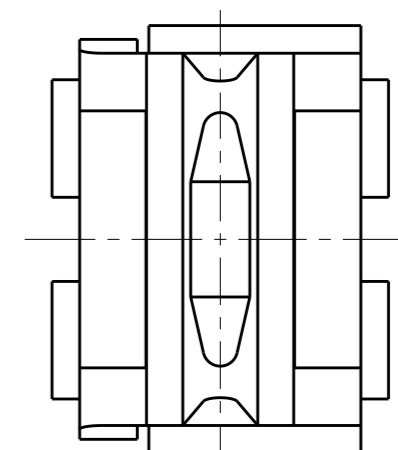
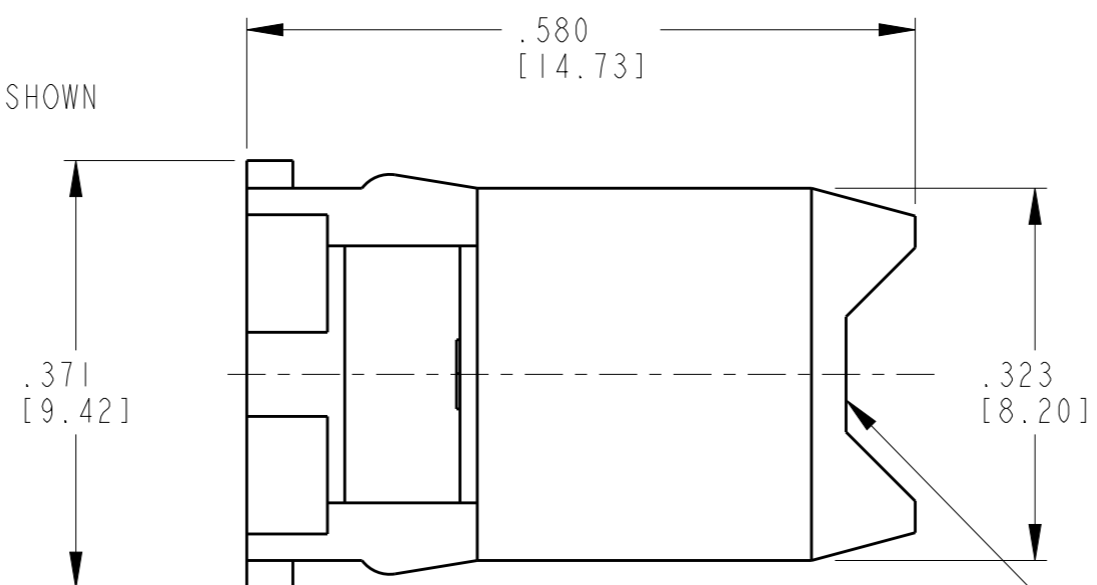
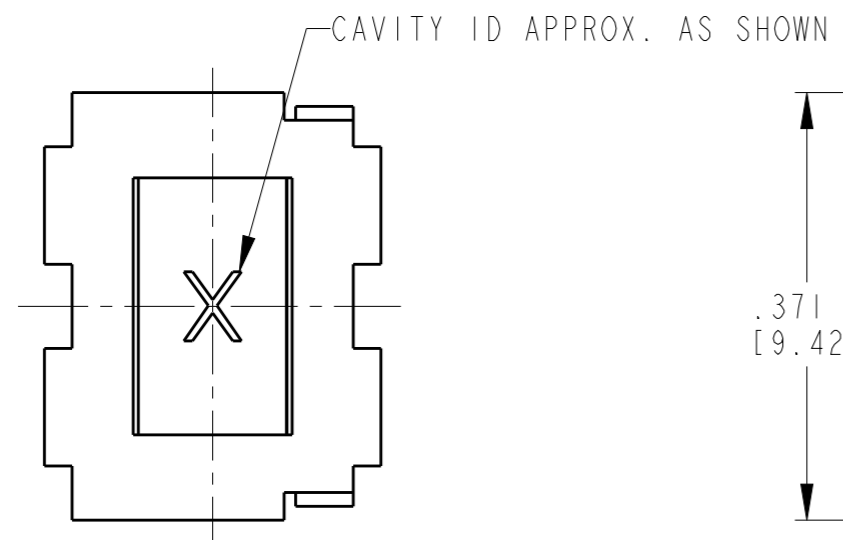
3

2

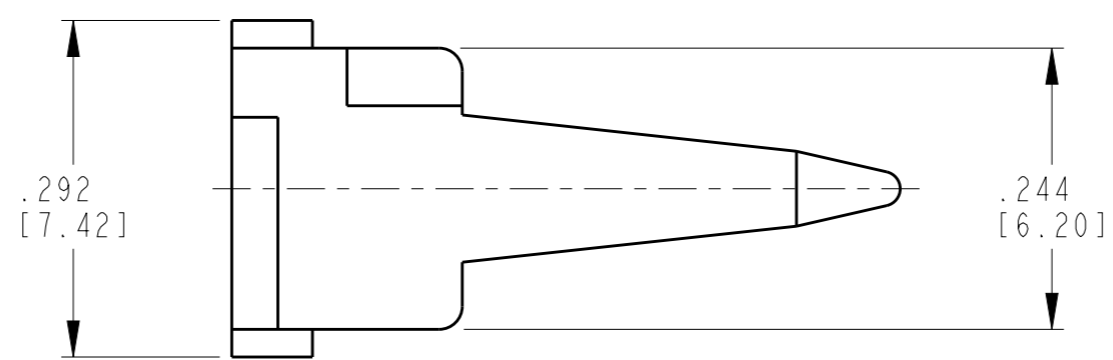
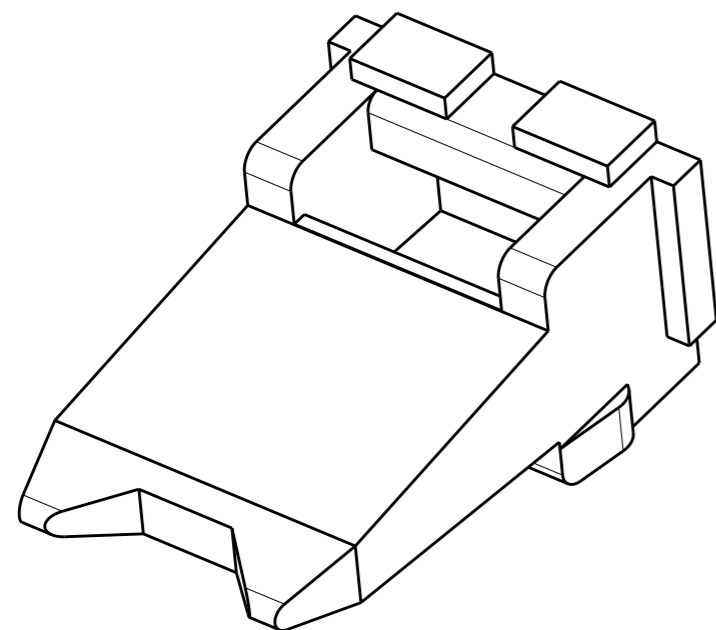
1

THIS DRAWING IS UNPUBLISHED. RELEASED FOR PUBLICATION 2014  
© COPYRIGHT 2014 TE CONNECTIVITY ALL RIGHTS RESERVED.


LOC	DIST	REVISIONS			
P	LTR	DESCRIPTION	DATE	DWN	APVD
-	-	NC	NEW RELEASE PER EO A09299	2/9/90	CW JA
		A	REVISED PER EO PI5887	2/15/99	ST RDR
		B	REVISED PER ECO-14-003390	3/26/14	RLM DM



CUTOUT FEATURE OPTIONAL



1. USED WITH DT04-4P-\*\*\*\* (\*\*\*\* = ALL MODIFICATIONS). CONSULT FACTORY FOR MODIFICATION AND APPLICATION.

THIS DRAWING IS A CONTROLLED DOCUMENT.		DWN R. MESSENGER 08JAN2014	 TE Connectivity	
DIMENSIONS: INCHES [mm]		CHK R. MESSENGER 09JAN2014		
TOLERANCES UNLESS OTHERWISE SPECIFIED:		APVD D. MEYER 20FEB2014	NAME WEDGE LOCK 4 WAY RECEPTACLE DT SERIES	
0 PLC ± 1 PLC ± 2 PLC ± 3 PLC ±0.010[0.25] 4 PLC ± ANGLES ±0°30'0"		PRODUCT SPEC -	RESTRICTED TO -	
MATERIAL PLASTIC GREEN		FINISH -	APPLICATION SPEC -	SIZE A3
		WEIGHT 0.48 g	CAGE CODE 4AFU8	DRAWING NO G-W4P
		CUSTOMER DRAWING	SCALE 6:1	SHEET 1 OF 1
				REV B