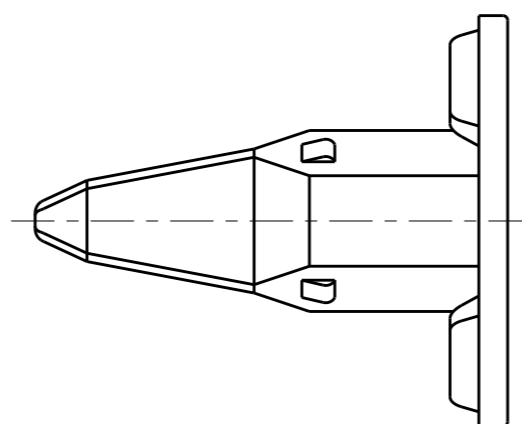
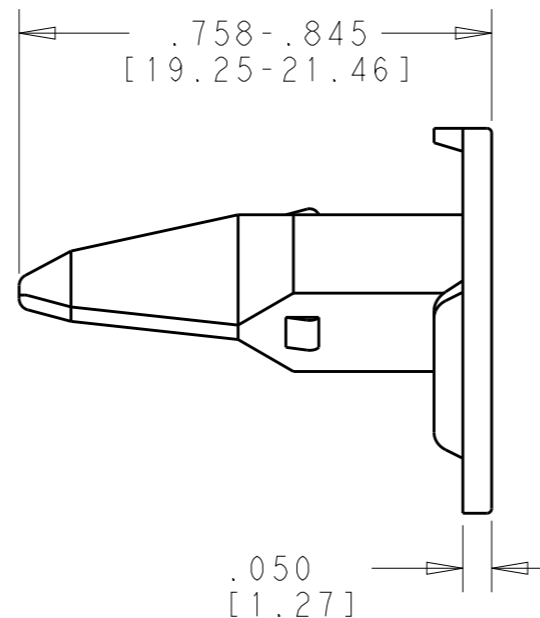
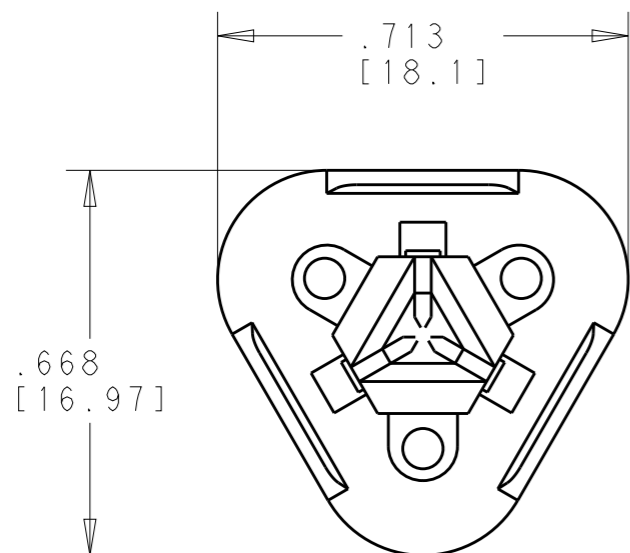


REVISIONS

| P | LTR | DESCRIPTION | DATE | DWN | APVD |
|---|-----|-----------------------------|-----------|-----|------|
| | C | REVISED PER PCN E-17-001289 | 16JAN2017 | CM | DM |
| | | | | | |
| | | | | | |




| | |
|----------------|------------|
| TE INTERNAL PN | DEUTSCH PN |
| W3S-P012 | W3S-P012 |

2. MATERIAL: PBT 30% GF (GREEN)

1. THIS WEDGE MAY BE USED WITH DT06-3S-XXXX PLUG (XXXX = ALL MODIFICATIONS). CONSULT FACTORY FOR MODIFICATION AND APPLICATION.

NOTES:

| | | | | | |
|---|--|-------------------------|---|-----------------|----------------------|
| THIS DRAWING IS A CONTROLLED DOCUMENT. | | DWN R. OCHOA 14OCT1998 |  TE Connectivity | | |
| DIMENSIONS: INCHES [mm] | | CHK B. BYFORD 01DEC2005 | | | |
| TOLERANCES UNLESS OTHERWISE SPECIFIED: | | APVD S. BEARD 29NOV2005 | NAME WEDGE LOCK FOR 3-PIN PLUG RETENTION TYPE D.T. SERIES | | |
| 0 PLC ± 1 PLC ± 2 PLC ± 3 PLC ±.025 [0.64] 4 PLC ± ANGLES ±0°30'0" | | PRODUCT SPEC - | RESTRICTED TO - | | |
| MATERIAL 2 | | APPLICATION SPEC - | SIZE A3 | CAGE CODE 4AFU8 | DRAWING NO. W3S-P012 |
| FINISH - | | WEIGHT 1.03 g | SCALE 3:1 SHEET 1 OF 1 REV C | | |
| | | CUSTOMER DRAWING | | | |