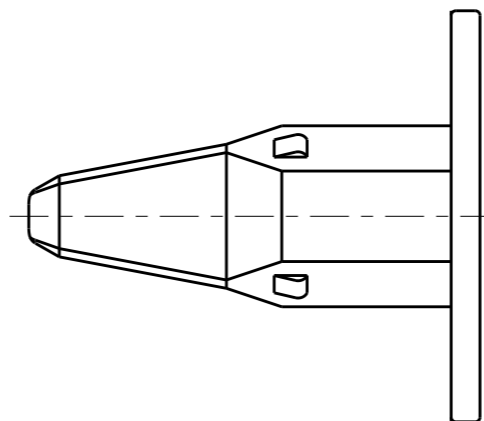
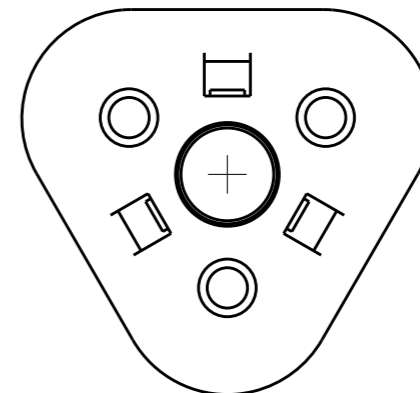
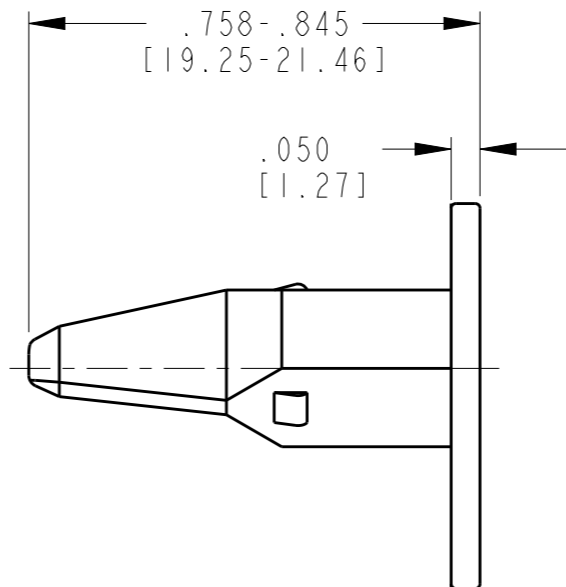
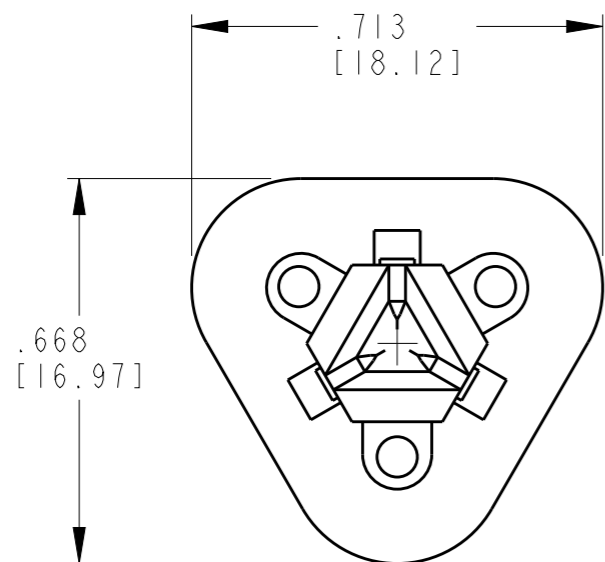


THIS DRAWING IS UNPUBLISHED  
 RELEASED FOR PUBLICATION  
 20  
 © COPYRIGHT 2017 BY - TE CONNECTIVITY ALL RIGHTS RESERVED.

REVISIONS					
P	LTR	DESCRIPTION	DATE	DWN	APVD
	E	REVISED PER PCN E-17-001289	16JAN2017	CM	DM



TE INTERNAL PN	DEUTSCH PN
W3S	W3S

2. MATERIAL: PBT 30% GF (ORANGE)

1. THIS WEDGE MAY BE USED WITH DT06-3S-XXXX PLUG (XXXX = ALL MODIFICATIONS). CONSULT FACTORY FOR MODIFICATION AND APPLICATION.

NOTES:

THIS DRAWING IS A CONTROLLED DOCUMENT.		DWN	A. LEE	04FEB1997	 TE Connectivity	NAME WEDGE LOCK FOR 3 WAY PLUG STANDARD TYPE DT SERIES
DIMENSIONS: INCHES [mm]		CHK	B. BYFORD	14NOV2008		
TOLERANCES UNLESS OTHERWISE SPECIFIED:		APVD	S. BEARD	13NOV2008		
0 PLC ± 1 PLC ± 2 PLC ± 3 PLC ± .025 [0.64] 4 PLC ± ANGLES ± 0° 30' 0"		PRODUCT SPEC	-	-		
MATERIAL	2	FINISH	-	-	APPLICATION SPEC	-
		WEIGHT	0.97 g	A3	SIZE	4AFU8
		CUSTOMER DRAWING	SCALE 3:1		CAGE CODE	W3S
		SHEET 1 OF 1		DRAWING NO		RESTRICTED TO
		REV E				