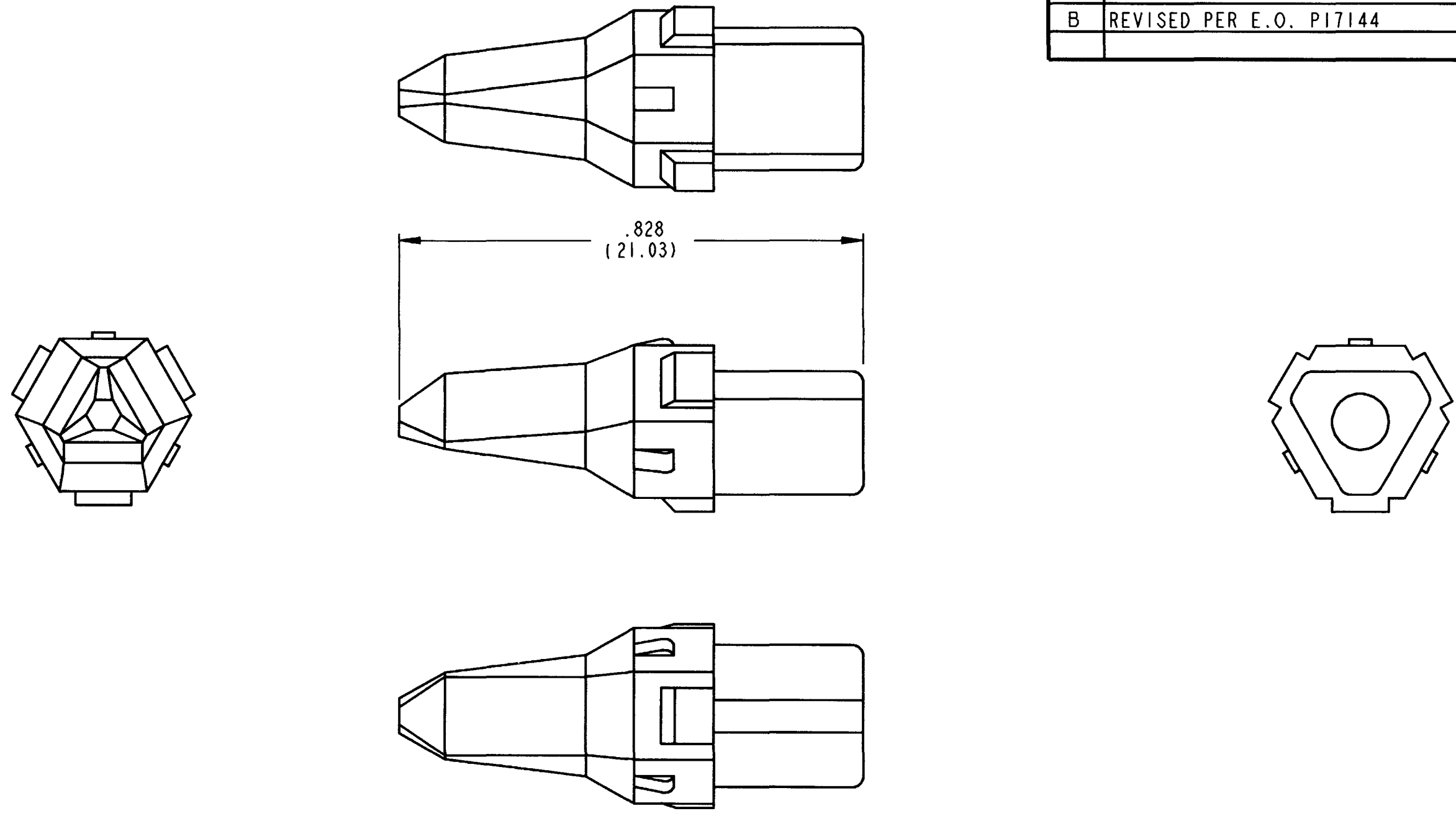


REV
B **W3P-1939**

REVISIONS			
SYM	DESCRIPTION	DATE	APPROVED
NC	NEW RELEASE PER E.O. A14607	8/5/94	R.D.R.
A	REVISED PER E.O. P15222	2/28/97	R.D.R.
B	REVISED PER E.O. P17144	2-21-01	RDR



- NOTES:
4. COLOR OF MATERIAL: BLUE.
 3. CONSULT FACTORY FOR APPLICATION.
 2. ALL DIMENSIONS ARE $\pm .025$ [.63] UNLESS OTHERWISE SPECIFIED.
 1. ALL DIMENSIONS ARE IN INCHES [MILLIMETERS].

SIGNATURE & DATE	
DR	A. LEE 4FEB97
CHK	<i>P. Polinski</i> 2/19/01
PE	<i>John Gilmore</i> 2/14/01
APPD	<i>SP</i> 2-21-01
SCALE	NONE WT

KEYED WEDGE LOCK
FOR 3 WAY RECT.
D.T. SERIES

ENVELOPE

CP	MATL. CODE
The Deutch Company DEUTSCH I.P.D. 3850 INDUSTRIAL AVE. HEMET, CALIF. 92545	
B	W3P-1939
DWG SIZE	CODE 1139 SHEET 1 OF 1