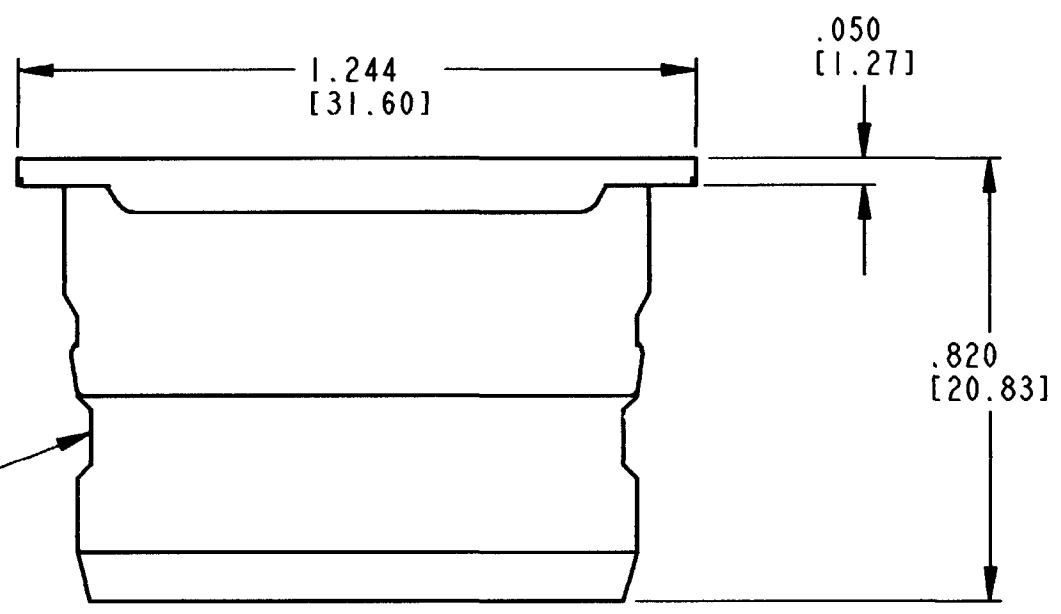
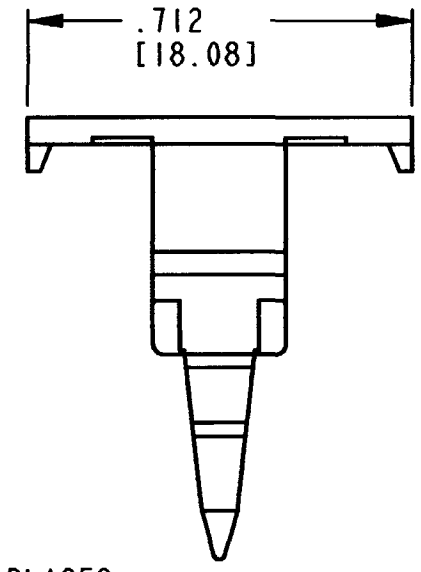
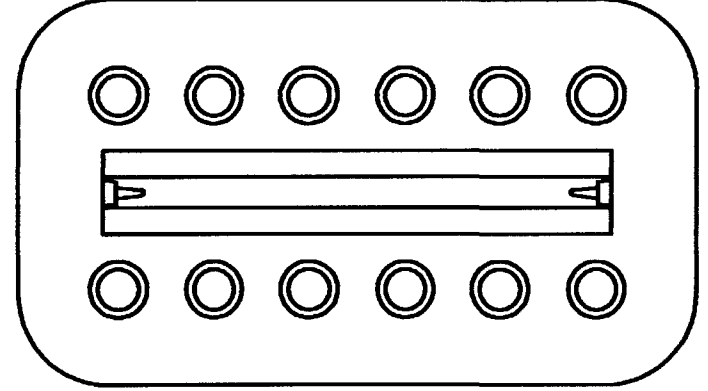
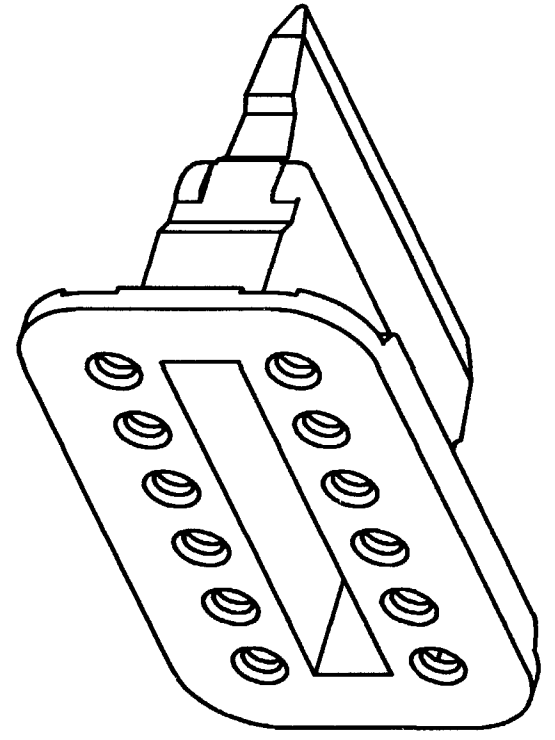


REV  
D      **W12S-P012**

REVISIONS			
SYM	DESCRIPTION	DATE	APPROVED
A	REVISED PER E.O. P15278	6/8/97	RDR
B	REVISED PER E.O. P15745	8-25-98	RDR
C	REVISED PER E.O. P17510	1/28/01	RDR
D	REVISED PER E.O. P19968	11-17-08	RDR



- △ 6. CUTOUT FEATURE OPTIONAL, 2 PLACES.
5. MATERIAL: PLASTIC; COLOR: GREEN
4. W12S-P012 WEDGE MAY BE USED ONLY WITH DT06-12S\*-P012 PLUG.
3. CONSULT FACTORY FOR APPLICATION.
2. ALL DIMENSIONS ARE ±.025 [.64] UNLESS OTHERWISE SPECIFIED.
- NOTES: 1. ALL DIMENSIONS ARE IN INCHES [MILLIMETERS].

SIGNATURE & DATE	
DR	J. WOODY 8/12/98
CHK	<i>[Signature]</i> 11/14/08
PE	<i>[Signature]</i> 10/27/08
APPD	<i>[Signature]</i> 11-13-08
SCALE	NONE WT _____

**WEDGE LOCK  
FOR 12 WAY PLUG  
COLOR: GREEN  
DT SERIES**

ENVELOPE

EP	MATL. CODE
3850 INDUSTRIAL AVE. HEMET, CA 92545	
<b>B</b>	<b>W12S-P012</b>
DWG SIZE	CODE 11139 SHEET   OF