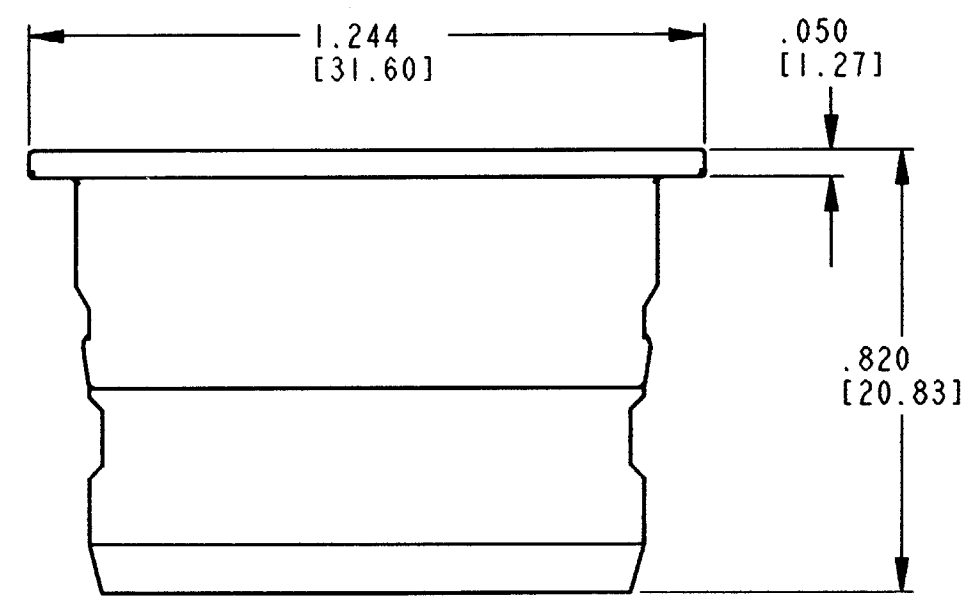
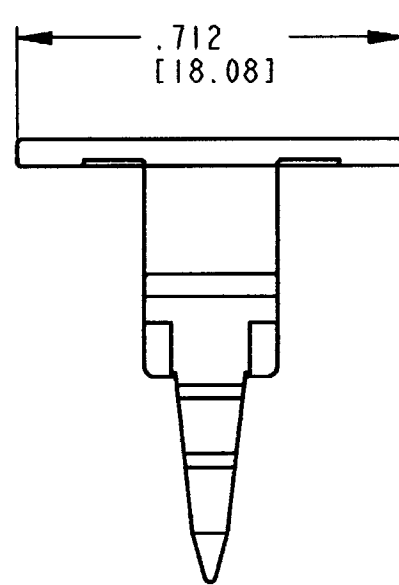
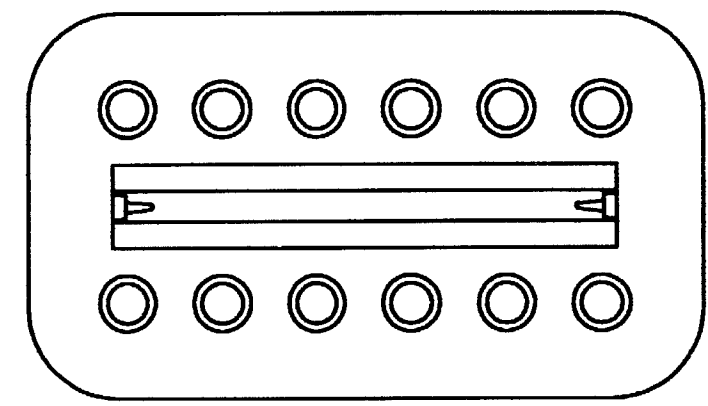


REV  
E      W12S

REVISIONS			
SYM	DESCRIPTION	DATE	APPROVED
B	REVISED PER E.O. P15337	6/11/97	R.D.R.
C	REVISED/REDRAWN PER E.O. P17352	7/23/01	R.D.R.
D	REVISED PER E.O. P18147	5/27/03	R.D.R.
E	REVISED PER E.O. P19120	12-16-05	AAA



- 4. COLOR: ORANGE
- 3. CONSULT FACTORY APPLICATION.
- 2. ALL DIMENSIONS ARE ±.025 [0.64] UNLESS OTHERWISE SPECIFIED.

NOTES: 1. ALL DIMENSIONS ARE IN INCHES [MILLIMETERS].

SIGNATURE & DATE	
DR	X. SANCHEZ 11 JUL 01
CHK	<i>[Signature]</i> 12/19/05
PE	<i>[Signature]</i> 12/6/05
APPD	<i>[Signature]</i> 12-8-05
SCALE	NONE WT

WEDGE LOCK  
FOR  
12 WAY PLUG  
D.T. SERIES

ENVELOPE

CP	MATL. CODE
<b>The Deutch Company</b> DEUTSCH I.P.D. 3850 INDUSTRIAL AVE. HEMET, CALIF. 92545	
<b>B</b>	<b>W12S</b>
DWG SIZE	CODE 11139 SHEET   OF