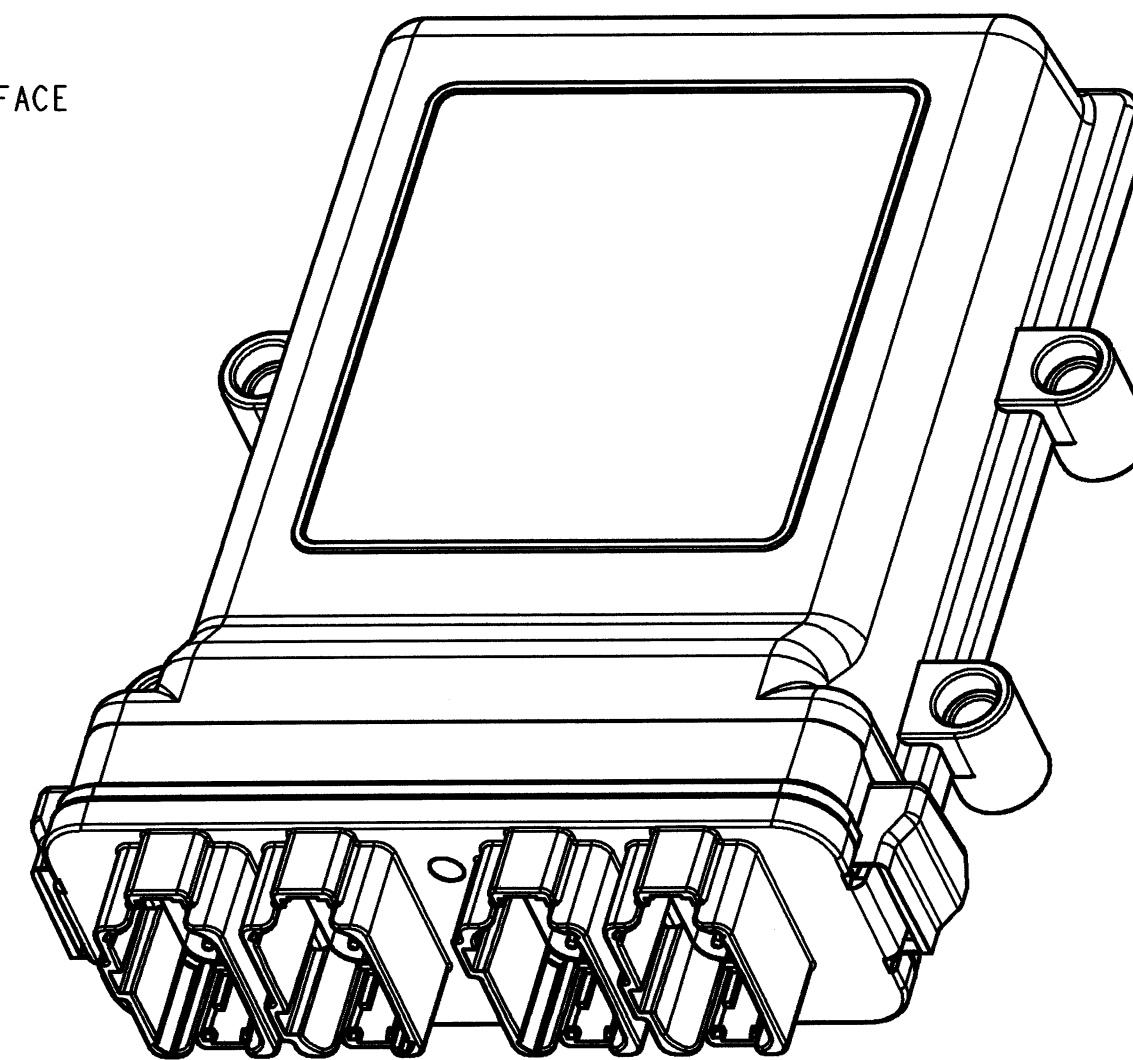
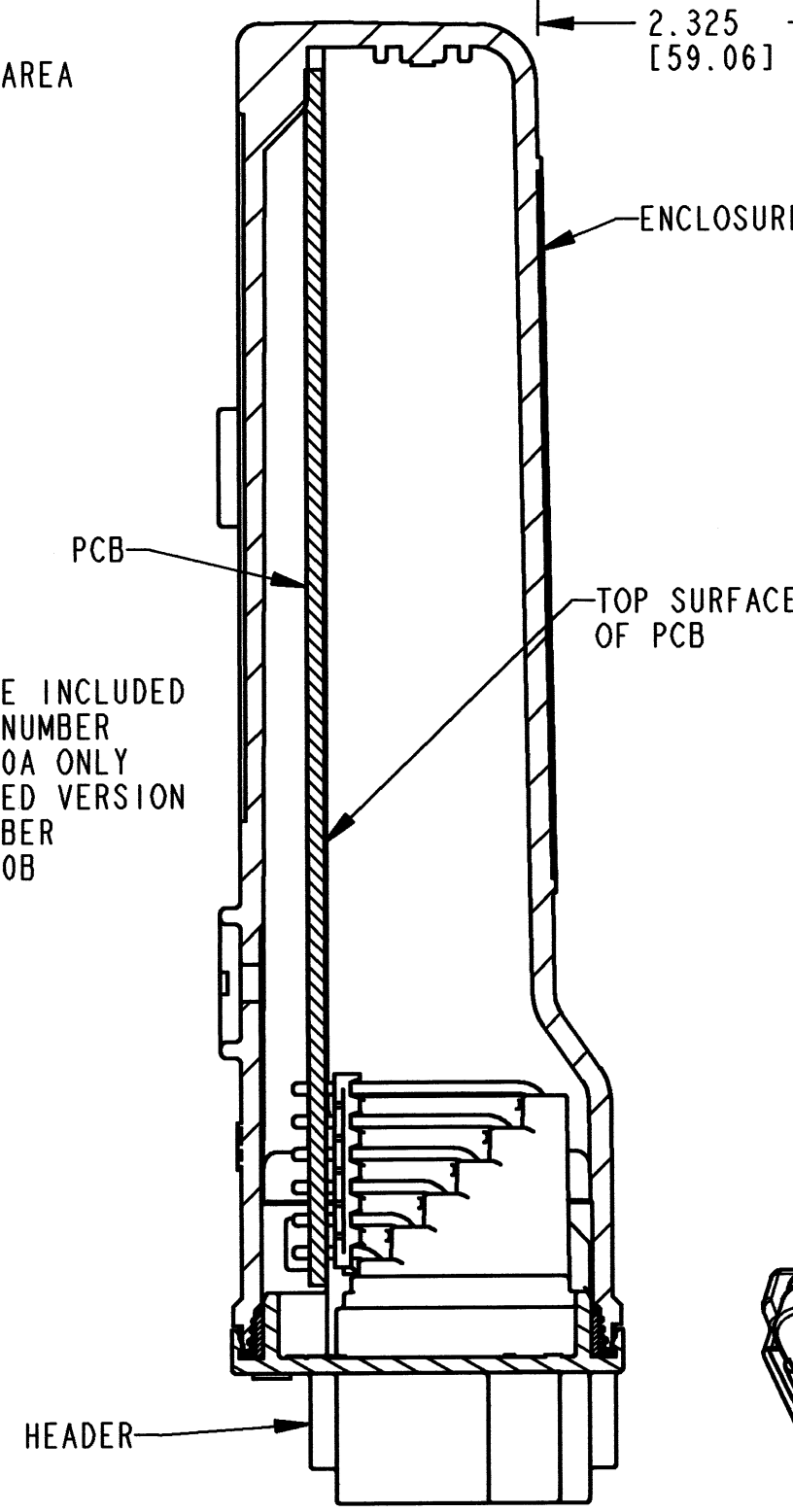
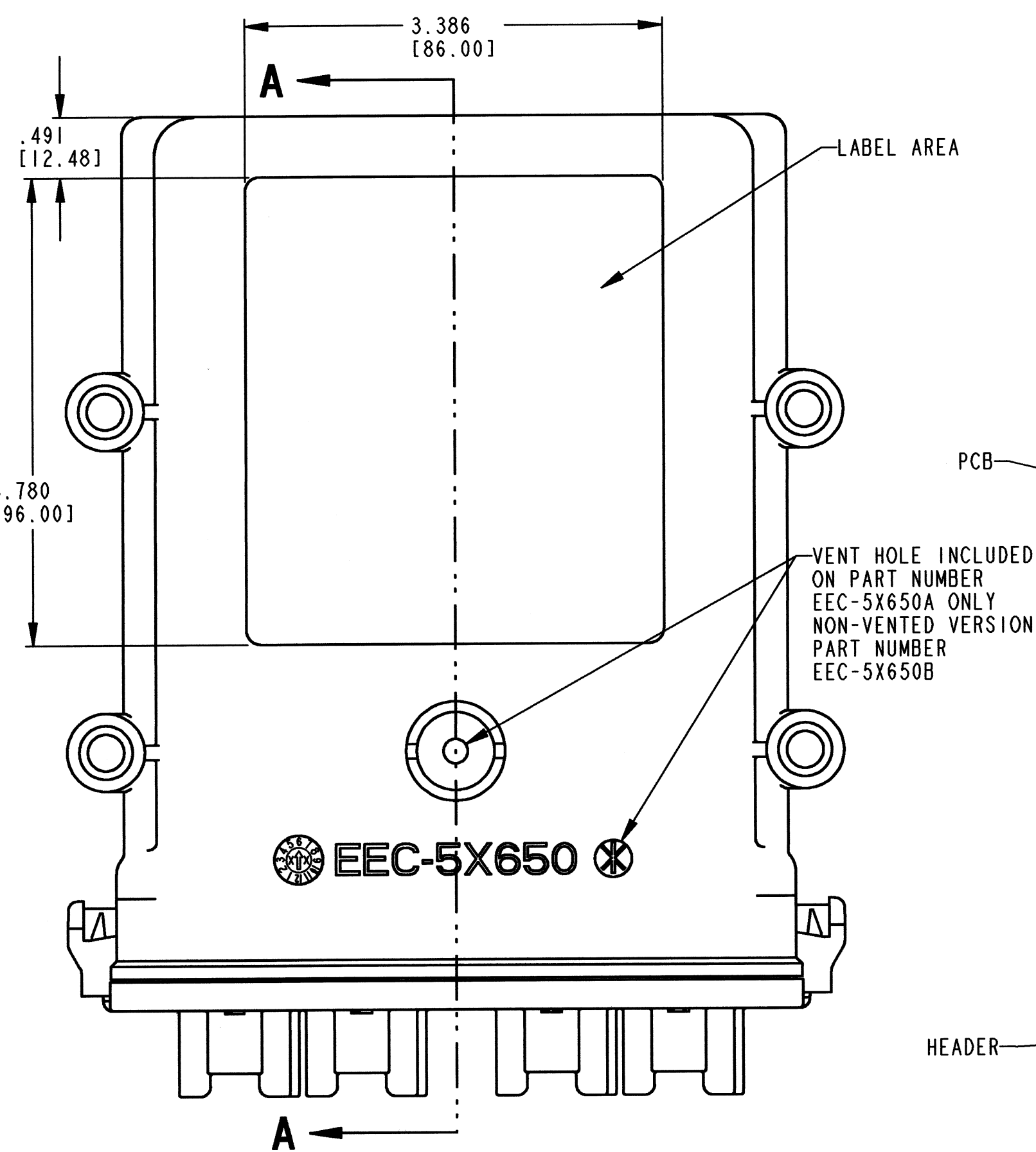
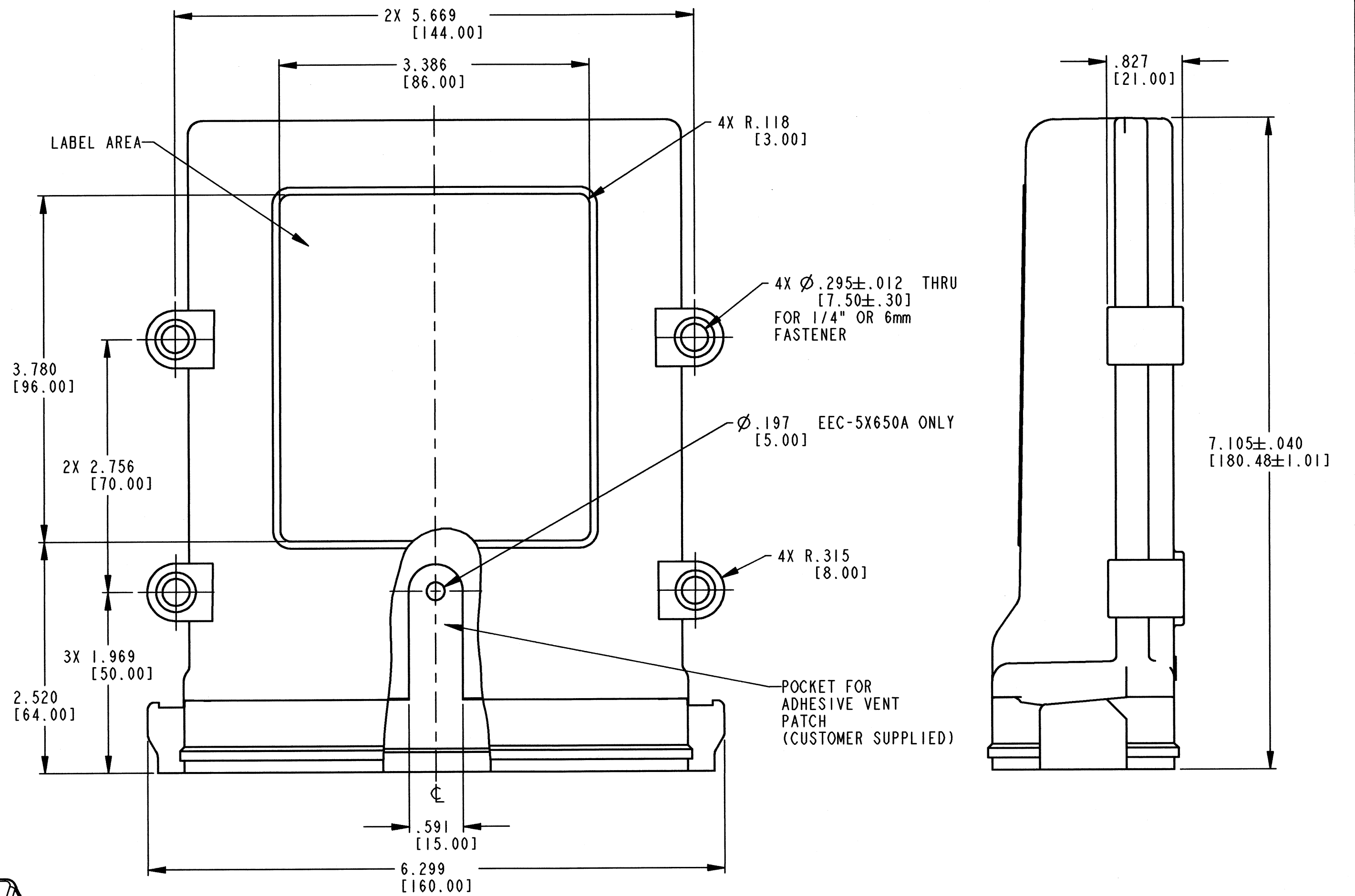
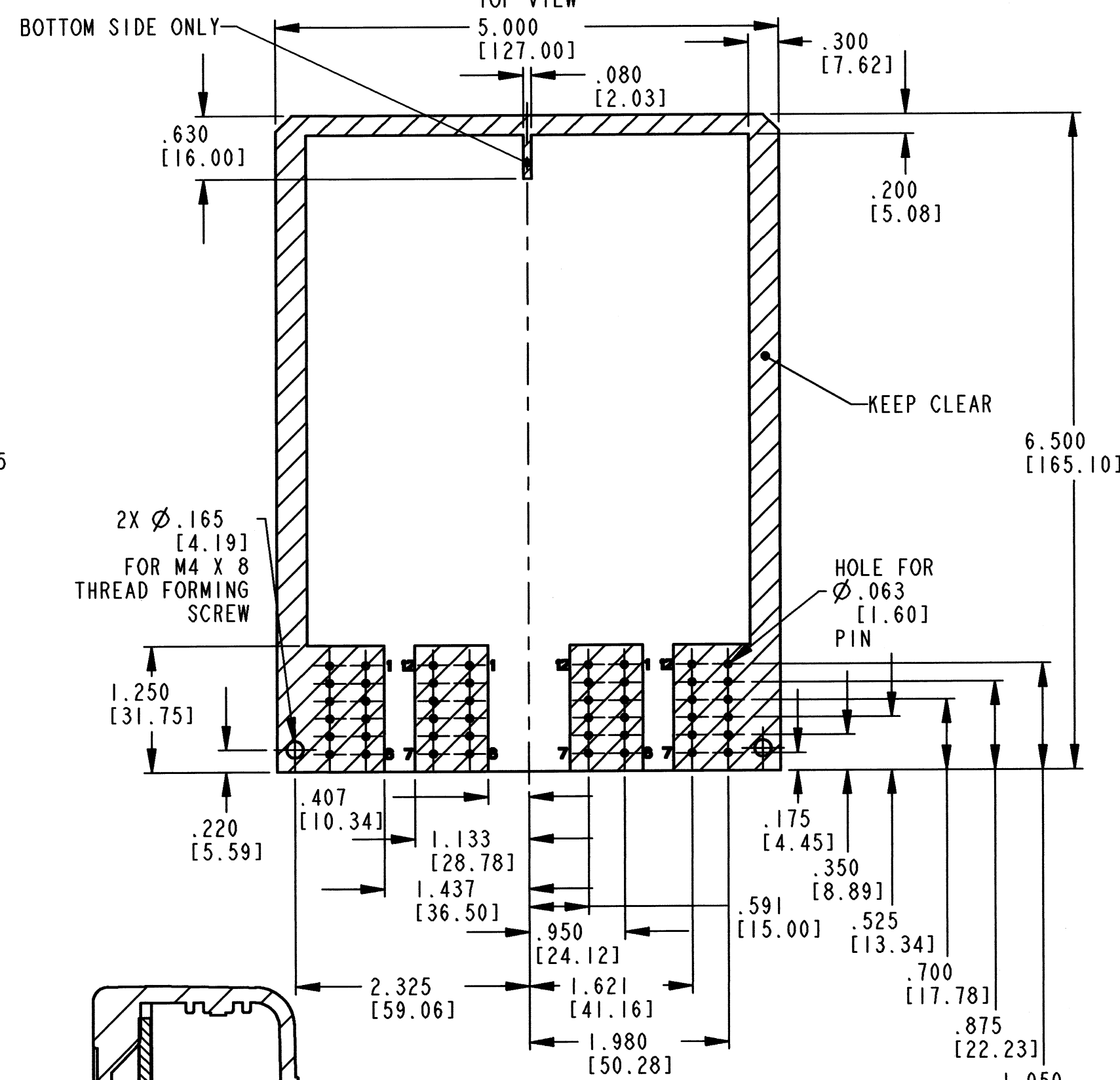
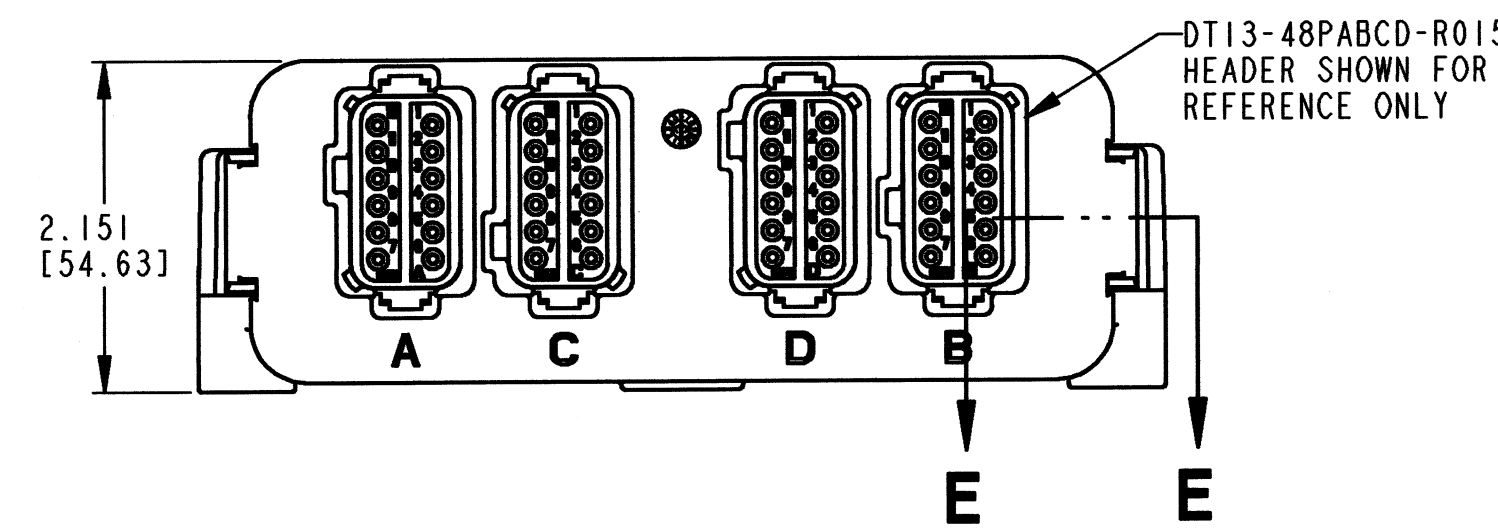
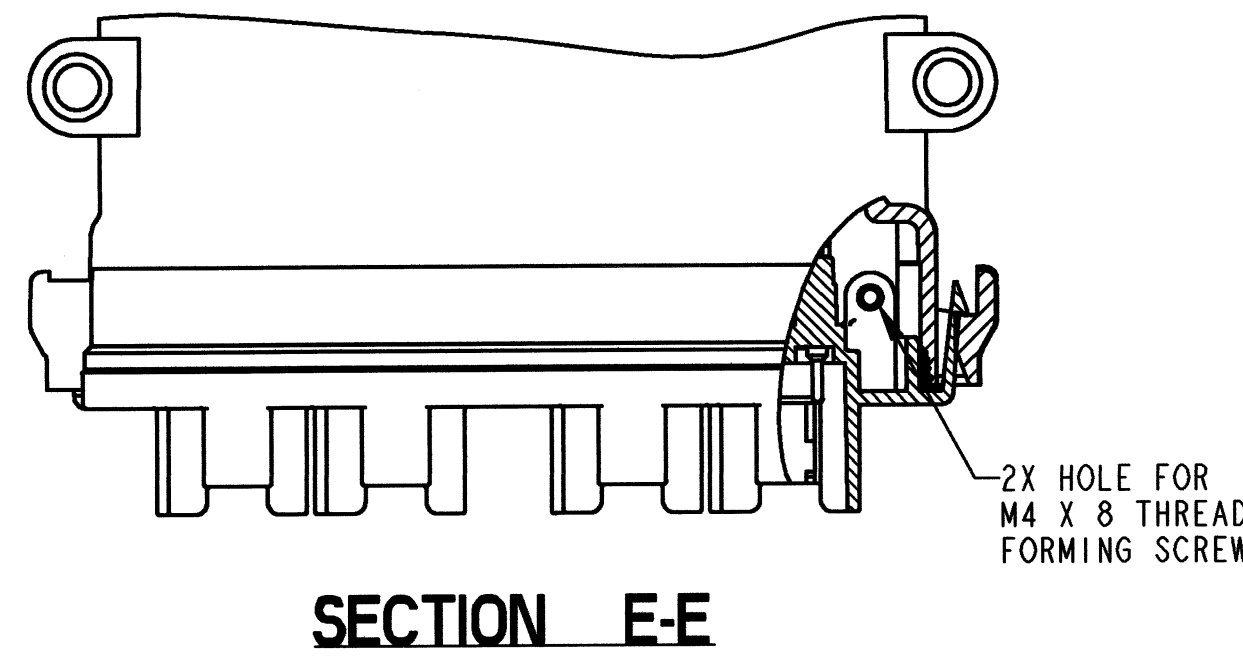


**CIRCUIT BOARD HOLE LOCATIONS  
AND KEEP CLEAR AREAS FOR**

DT13-\*\*\*-R015

BOARD THICKNESS IN KEEP CLEAR AREA TO BE .093±.004.  
MAX. COMPONENT HEIGHT OVER BOARD .992[25.20].  
MAX. COMPONENT HEIGHT UNDER BOARD .157[4.00].  
ALL DIMENSIONS REFERENCE

REVISIONS				
REV NC	SYM	DESCRIPTION	DATE	APPROVED
EEC-5X650A/B	NC	NEW RELEASE PER E.O. P20721	12-17-10	RDR



4. THIS ENCLOSURE MATES WITH DT13-\*\*\*-R015 AND -R02 HEADERS. (\* = PIN ARR. 12,24,36,48; \*2 = KEY ARR. A,B,C,D).

3. MATERIAL: NYLON 6/6 BLACK.

2. DIMENSIONS ARE ±.025 [0.64] UNLESS OTHERWISE SPECIFIED.

NOTES: 1. DIMENSIONS ARE IN INCHES [MILLIMETERS].

SIGNATURE & DATE		PCB ENCLOSURE SHOWN WITH 48 PIN HEADER VENTED AND NON-VENTED DT SERIES	EP 208	MAT. CODE
DR	R. MESSENGER 8/11/10		3850 INDUSTRIAL AVE. HEMET, CA 92345	
CHK			DEUTSCH INDUSTRIAL	
PE	R. MESSENGER 8/11/10		EEC-5X650A/B	
APPD			D	
SCALE	NONE	WT		

ENVELOPE

1139 SHEET 1 OF 1