

REV
B DTT-12-00

REVISIONS			
SYM	DESCRIPTION	DATE	APPROVED
NC	NEW RELEASE PER E.O. P16388	11-24-99	R.D.R.
A	REVISED PER E.O. P19059	5-1-06	R.D.R.
B	REVISED PER E.O. P21281	1-20-12	ADR


CRIMP DATA		
1060-12-01** PIN 4		
1062-12-01** SOCKET 4		
CAVITY	WIRE SIZE 3	INSULATION RANGE
A	2.0 mm ²	.113 - .156 [2.87 - 4.06]
	14 AWG(TXL, GXL, SXL)	
	2.5 mm ²	
B	3.0 mm ²	.145 - .176 [3.68 - 4.47]
	12 AWG(TXL)	
	4.0mm ²	

- 6 CONDUCTOR CRIMP TO BE MEASURED USING A BLADE MICROMETER WITH .100 [2.54] MIN SPINDLE AND .060/.010 [1.52/.25] ANVIL. SEE SECTION A-A.
 - 5. EACH TOOL INCLUDES AN INSTRUCTION MANUAL 0425-036-0000.
 - 4 **=CONTACT PLATING CODE (44=SELECTIVE GOLD; 66=TIN/NICKEL).
 - 3 CONDUCTOR TYPES ARE PER SAE J1128(AWG) AND ISO 6722(METRIC).
 - 2. TOOL IS BLACK WITH YELLOW HANDLES.
 - 1. DIMENSIONS ARE IN INCHES [mm].
- NOTES: UNLESS OTHERWISE SPECIFIED.

SIGNATURE & DATE	
DR	J.LIM 10/15/05
CHK	<i>[Signature]</i> 1/20/02
PE	<i>[Signature]</i> 1/20/2012
APPD	<i>[Signature]</i> 1/20/12
SCALE	NONE
WT	1.6 LB

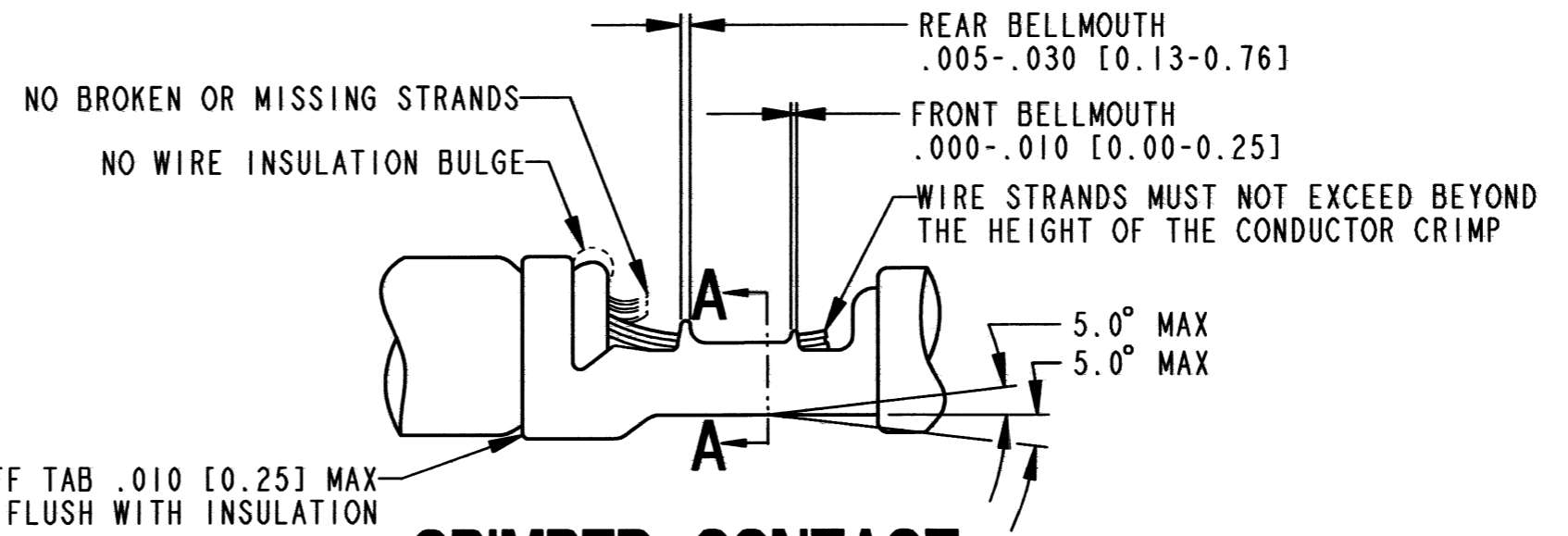
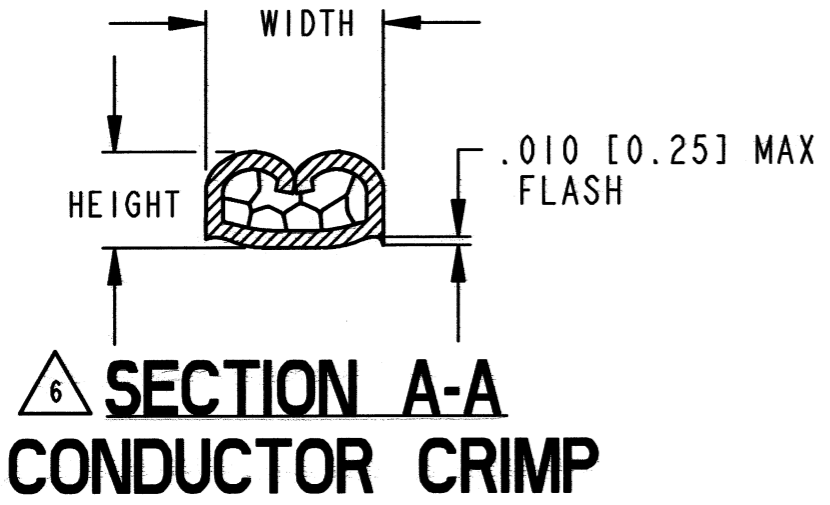
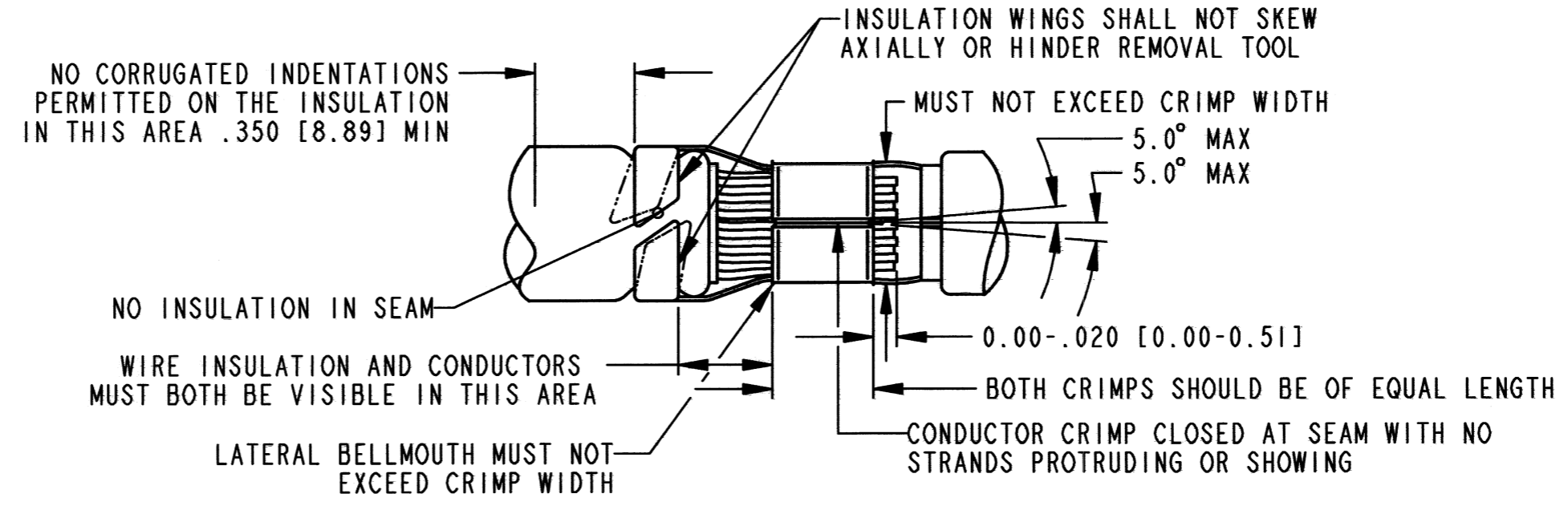
FIELD MAINTENANCE
CRIMP TOOL
DTT-12-00
12 SIZE S/F

ENVELOPE

EP EP058	MATL. CODE
 3850 INDUSTRIAL AVE. HEMET, CA 92545	
B	DTT-12-00
DWG SIZE	CODE 11139 SHEET 1 OF 2

REV
B DTT-12-00

REVISIONS			
SYM	DESCRIPTION	DATE	APPROVED
B	SEE SHEET 1	1-20-12	RDR



CRIMPED CONTACT

NOTES:

SIGNATURE & DATE	
DR	J. LIM 10/15/05
CHK	<i>S. Byford</i> 1/20/2012
PE	<i>S. Byford</i> 1/20/2012
APPD	<i>S. Byford</i> 1-20-12
SCALE	WT

FIELD MAINTENANCE
CRIMP TOOL
DTT-12-00
12 SIZE S/F

ENVELOPE

EP EP058	MATL. CODE
3850 INDUSTRIAL AVE. HEMET, CA 92545	
B DTT-12-00	
DWG SIZE	CODE 11139 SHEET 2 OF 2