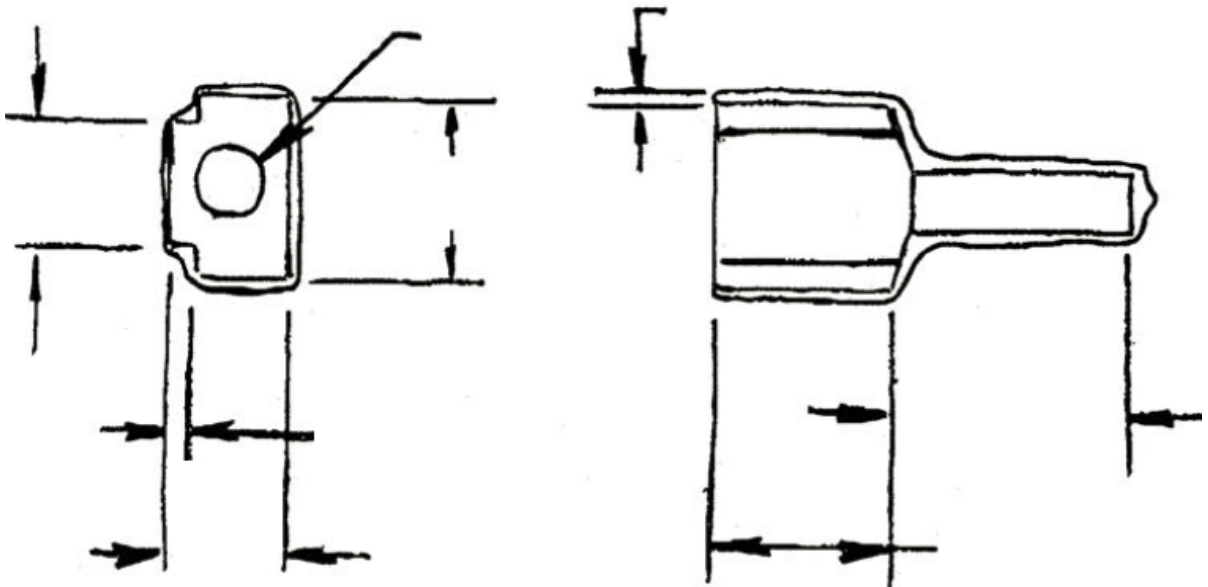


REVISIONS

P	LTR	DESCRIPTION	DATE	DWN	APVD




RELEASED FOR PUBLICATION

ALL RIGHTS RESERVED.

© COPYRIGHT

THIS DRAWING IS UNPUBLISHED.

DIMENSIONS:	DWN	MATERIAL	FINISH		
	CHK				
TOLERANCES UNLESS OTHERWISE SPECIFIED: 0 PLC ± 1 PLC ± 2 PLC ± 3 PLC ± 4 PLC ± ANGLES ±	APVD				
	PRODUCT SPEC	SIZE	CAGE CODE	DRAWING NO	RESTRICTED TO
	APPLICATION SPEC	A 4	C-		
WEIGHT			SCALE	SHEET OF	REV

