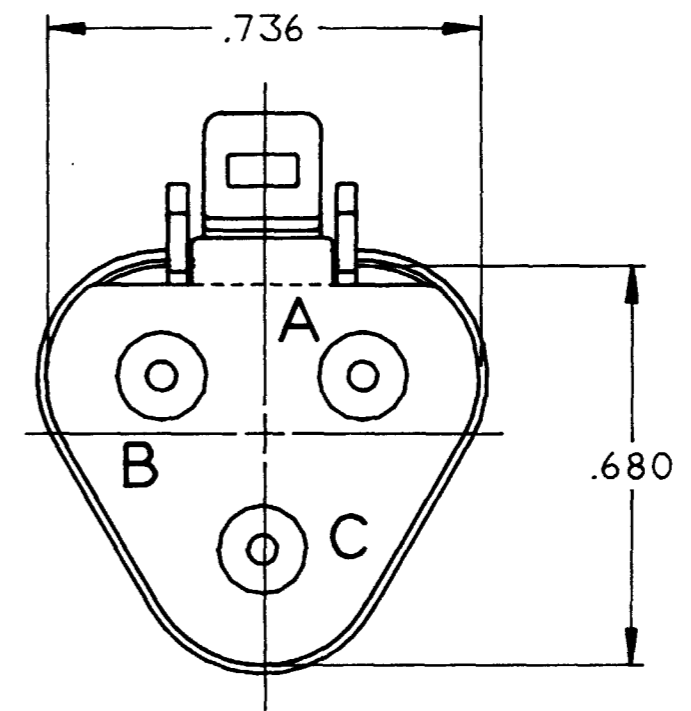
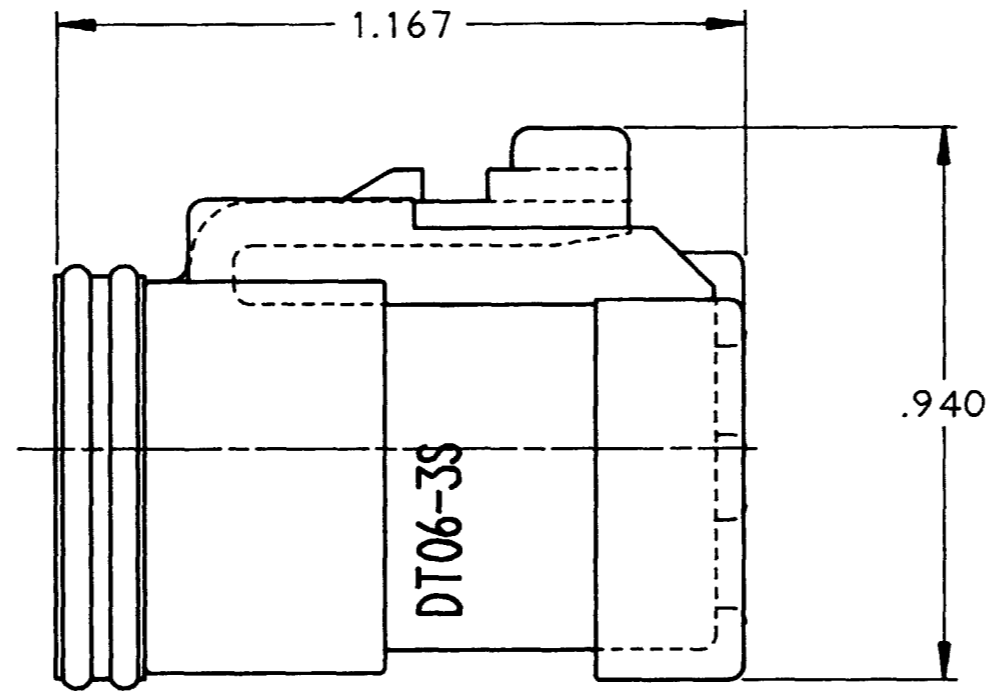
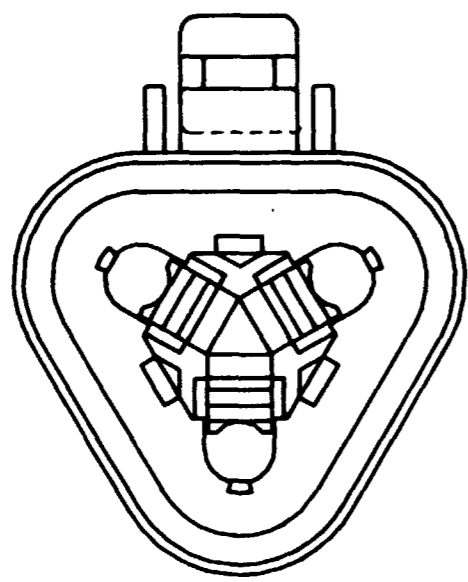


REV
NC DT06-3S-E005

REVISIONS			
SYM	DESCRIPTION	DATE	APPROVED
NC	NEW RELEASE PER E.O. A13781	3/19/92	<i>[Signature]</i>



- NOTES:
1. ALL DIMENSIONS ARE IN INCHES UNLESS OTHERWISE SPECIFIED.
 2. ALL DIMENSIONS ARE FOR REFERENCE ONLY.
 3. CONSULT FACTORY FOR CONTACT SPECIFICATION AND APPLICATION.
 4. THIS CONNECTOR CAN PASS THRU A ONE INCH HOLE.

SIGNATURE & DATE	
DR	JNORRIS 12MAR92
CHK	
PE	<i>[Signature]</i> 3/14/92
APPD	
SCALE	NONE
WT	

3 WAY PLUG
-E005 MOD.
COLOR: BLACK
D.T. SERIES

ENVELOPE

CP	MATL CODE
The Deutsch Company DEUTSCH I.P.D. 37140 INDUSTRIAL AVE. HEMET, CALIF. 92343	
DT06-3S-E005	
DWG SIZE	CODE 11139 SHEET OF 1