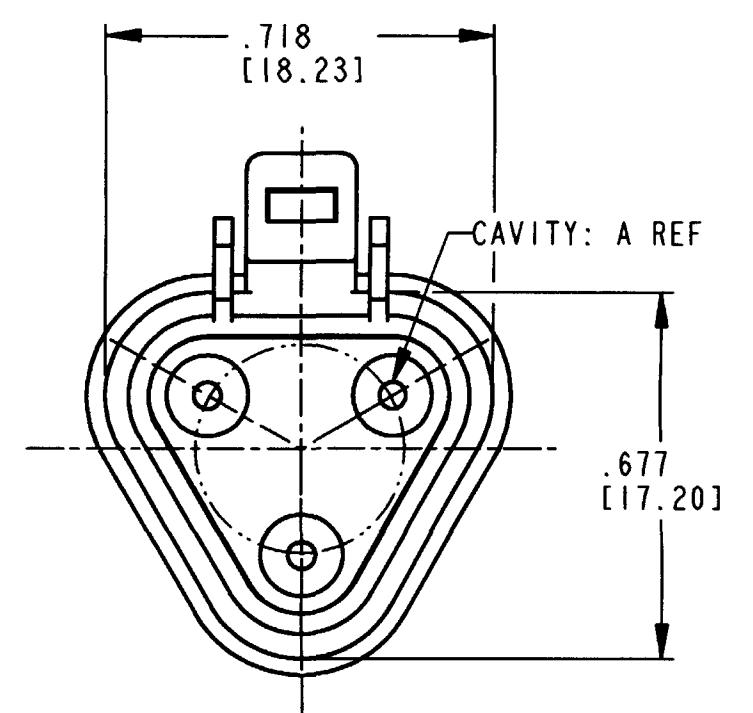
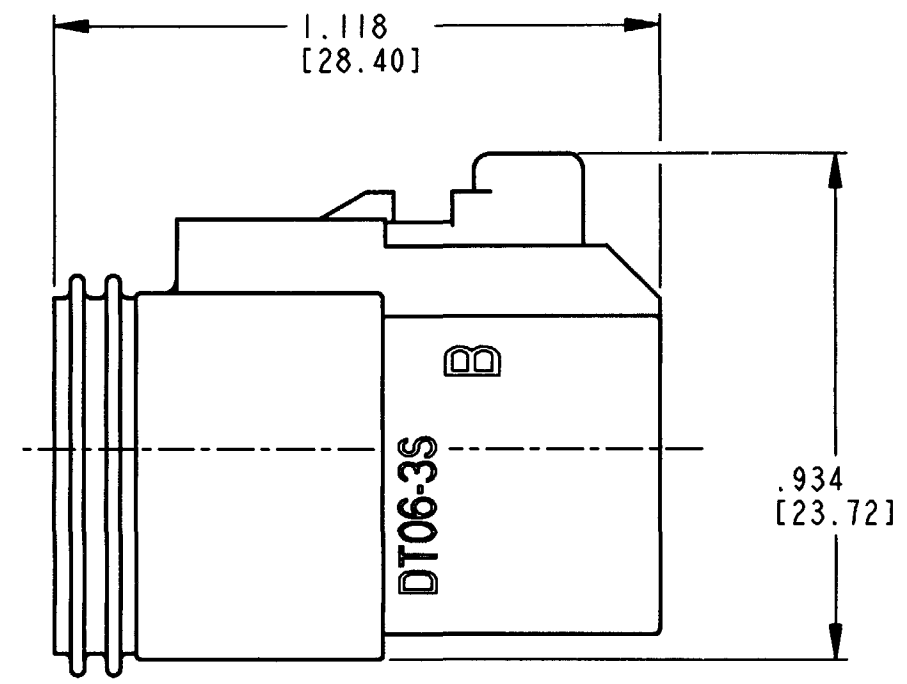
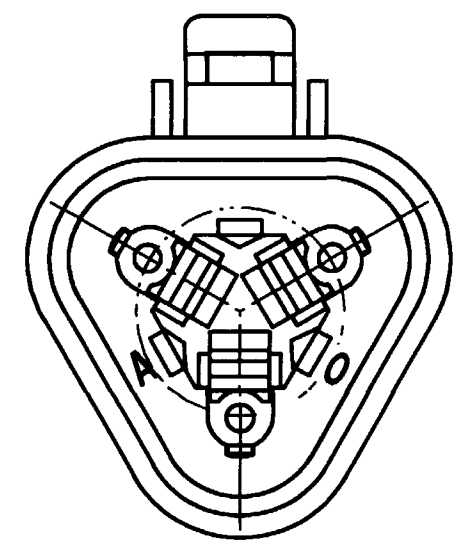


REV
A DT06-3S-E004

REVISIONS			
SYM	DESCRIPTION	DATE	APPROVED
NC	REVISED AND REDRAWN E.O. A13781	03-19-92	J.R.A.
A	REVISED/REDRAWN PER E.O. P16791	8-10-00	RDR



- NOTES:
1. ALL DIMENSIONS ARE INCHES [MILLIMETERS].
 2. ALL DIMENSIONS ARE ±.025 [0.63] UNLESS OTHERWISE SPECIFIED.
 3. CONSULT FACTORY FOR CONTACT SPECIFICATION AND APPLICATION.
 4. THIS CONNECTOR CAN PASS THRU A ONE INCH HOLE.
 5. FOR MORE INFO SEE ENVELOPE DWG. 0425-017-0000 AND 0425-015-0000.
 6. THIS PART MATES WITH DT04-3P-**** (****= ALL MODS).

SIGNATURE & DATE	
DR	R. OCHOA 07/31/2000
CHK	SBand B/100
PE	T. J. ... 8/2/00
APPD	SBand B/100
SCALE	NONE WT

3 WAY PLUG
-E004 MOD.
COLOR: BLACK
DT SERIES

ENVELOPE

CP	MATL. CODE
The Deutsch Company DEUTSCH I.P.D. 3850 INDUSTRIAL AVE. HEMET, CALIF. 92545	
B DT06-3S-E004	
DWG SIZE	CODE 11139 SHEET OF