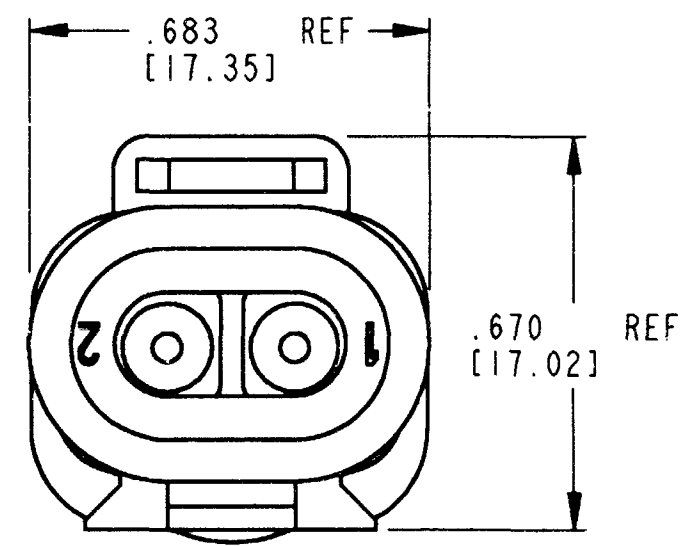
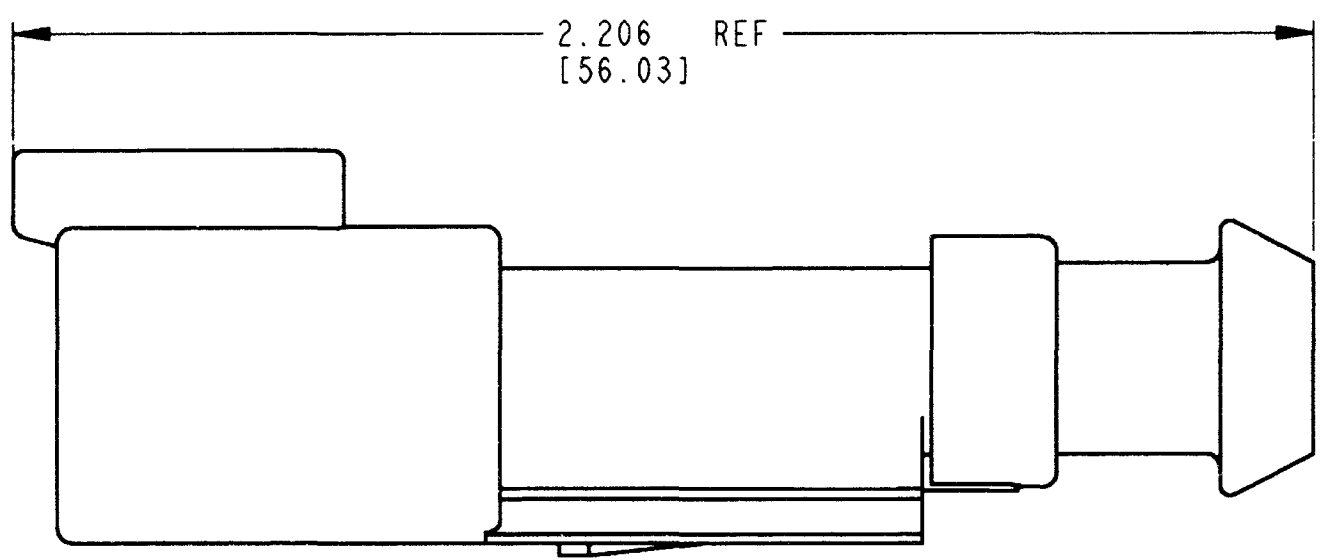


REV NC	<b>DT04-2P-E008</b>	REVISIONS		
SYM	DESCRIPTION	DATE	APPROVED	
NC	NEW RELEASE PER E.O. A14881	8-18-85	RDR	



NOTES:  
 1. ALL DIMENSIONS ARE FOR REFERENCE ONLY.  
 2. ALL DIMENSIONS ARE INCHES (METRIC).

SIGNATURE & DATE		2 WAY RECEPTACLE -E008 MOD. DT SERIES	CP	MATL. CODE			
DR	C. WOODRUFF 04AUG95		The Deutch Company DEUTSCH I.P.D. 37140 INDUSTRIAL AVE. HEMET, CALIF. 92545				
CHK	<i>[Signature]</i>		<b>B</b>	DT04-2P-E008			
PE	8/9/85						
APPD	R. R. 8-18-85						
SCALE	NONE	WT		DWG SIZE	CODE 11139	SHEET	OF

ENVELOPE