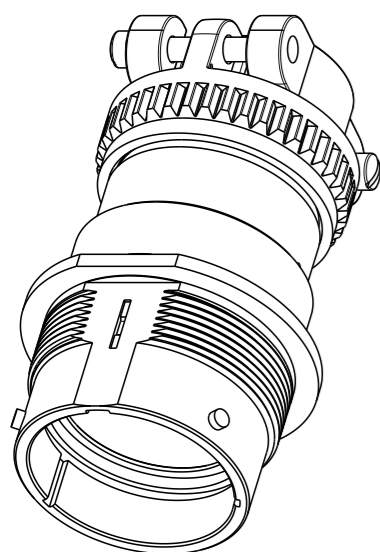
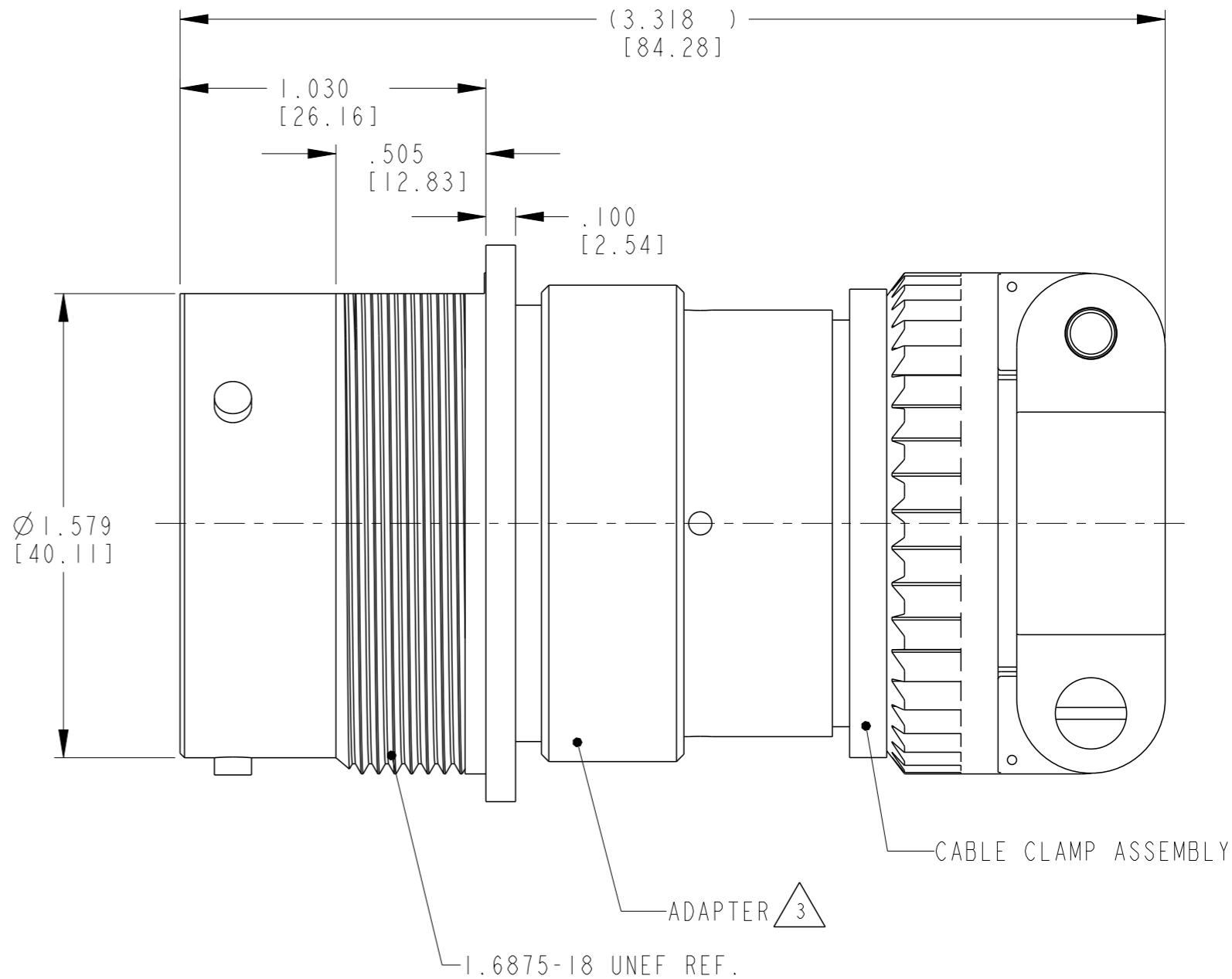
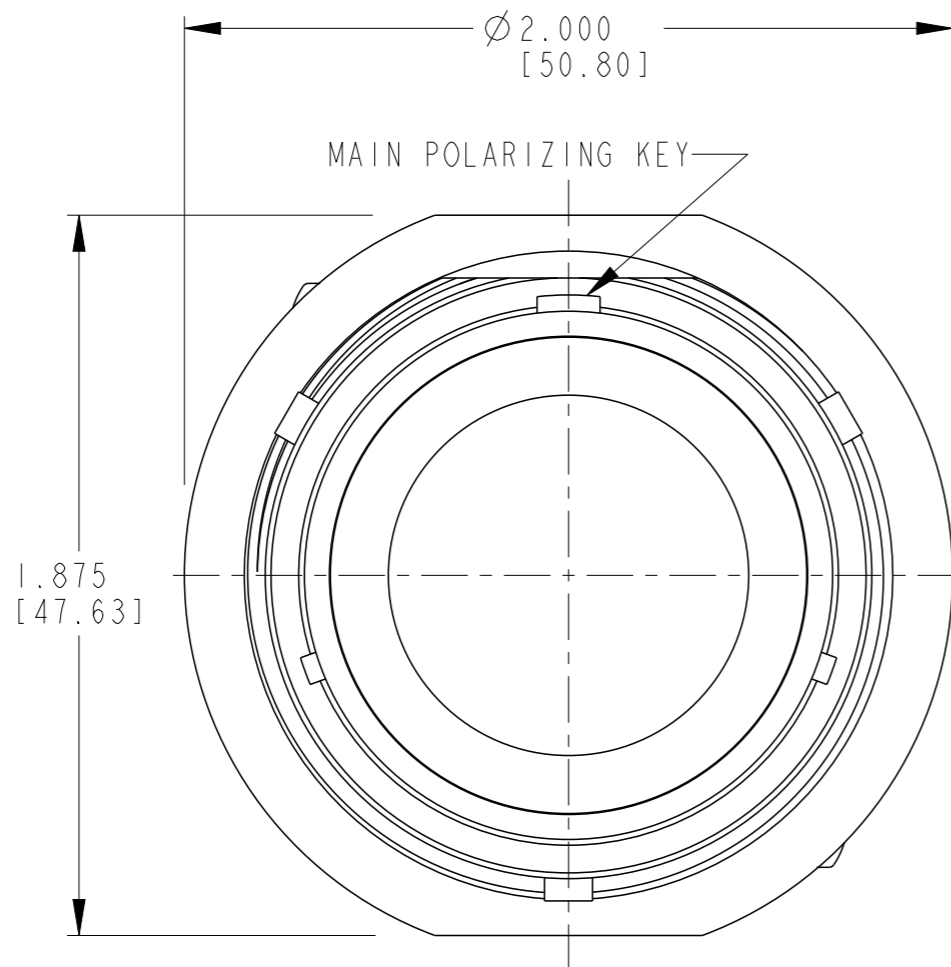


THIS DRAWING IS UNPUBLISHED. RELEASED FOR PUBLICATION 2014
 © COPYRIGHT 2014 BY - TE CONNECTIVITY ALL RIGHTS RESERVED.

LOC		DIST		REVISIONS			
P	LTR	DESCRIPTION	DATE	DWN	APVD		
-	-	NC	NEW RELEASE PER E.O. P19039	13SEP2005	-	RDR	
-	-	A	REVISED PER E.O. P21009	19JUL2011	-	RDR	
-	-	A1	REVISED PER ECO-15-001798	10OCT2014	VNB	DM	



3D VIEW



3. MATERIAL:
 ADAPTER: AL 6000 SERIES

2. THE CONNECTOR MATES WITH HD36-24-XXP/SX-XXXX
 X - SEAL DESIGNATION, XX = NUMBER OF CAVITIES,
 XXXX = MODIFICATION DESIGNATION.

1. FOR ARRANGEMENT OF CONTACT LOCATION
 SEE ENVELOPE DRAWING 0425-014-2400.

NOTES:

THIS DRAWING IS A CONTROLLED DOCUMENT.		DWN	30OCT2014	TE Connectivity	
		CHK	31OCT2014		
		APVD	31OCT2014	NAME	
		PRODUCT SPEC	0425-016-0000	RECEPTACLE CONNECTOR SHELL	
		APPLICATION SPEC	0425-015-0000	SIZE 24 BAYONET COUPLING MOD -059	
		WEIGHT	-	HD30 SERIES	
DIMENSIONS: INCHES		TOLERANCES UNLESS OTHERWISE SPECIFIED:		SIZE	RESTRICTED TO
		0 PLC	±-	A3	-
		1 PLC	±-	DRAWING NO	
		2 PLC	±-	CAGE CODE	
		3 PLC	±.010 [±.254]	DRAWING NO	
		4 PLC	±-	DRAWING NO	
		ANGLES	±0° 30' 0"	DRAWING NO	
MATERIAL SEE NOTE		FINISH	-	DRAWING NO	
		Customer Drawing		SCALE	SHEET OF REV