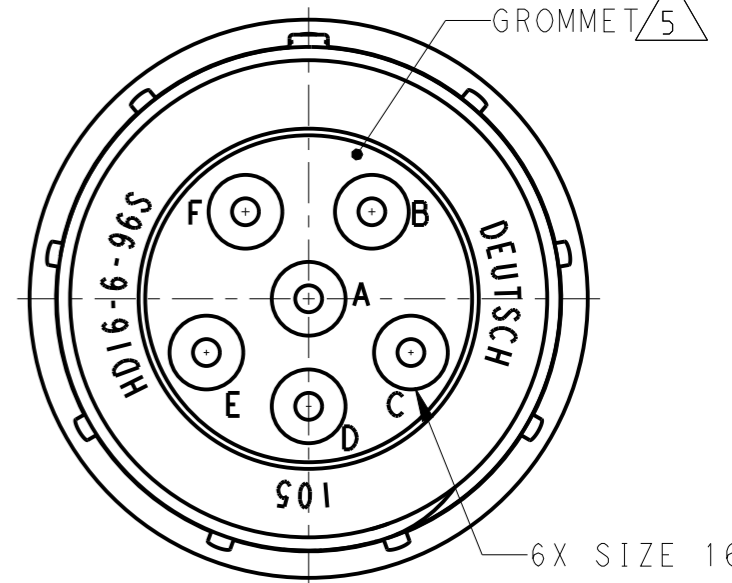
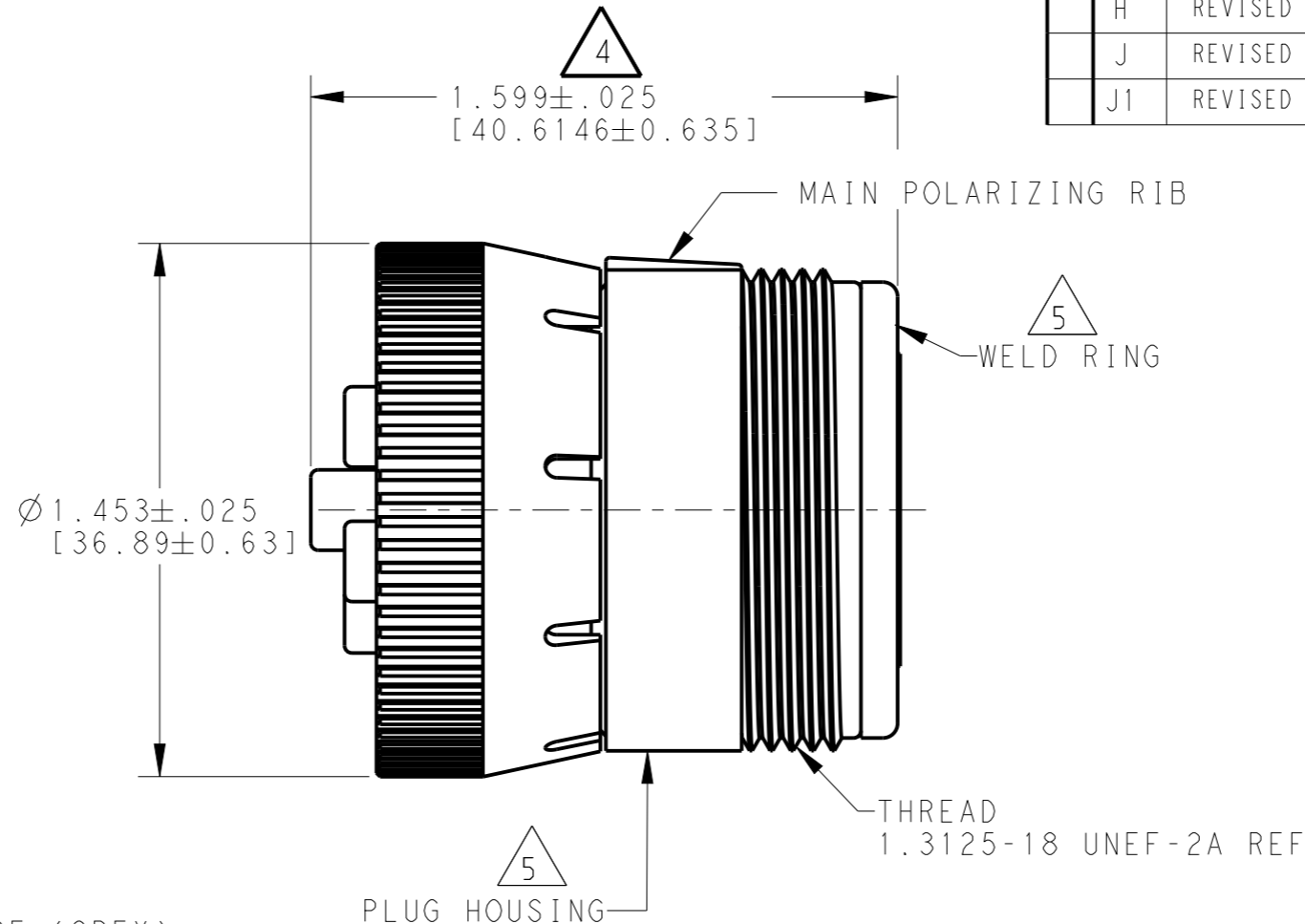
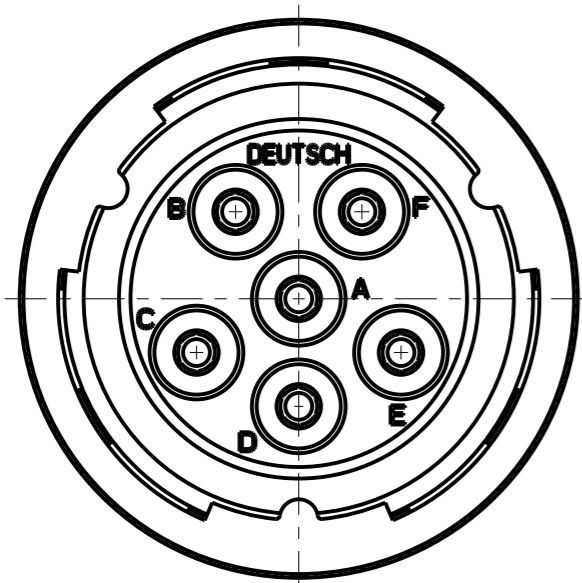


THIS DRAWING IS UNPUBLISHED. RELEASED FOR PUBLICATION 2013. ALL RIGHTS RESERVED. © COPYRIGHT 2013 BY TE CONNECTIVITY.

LOC	DIST	P	LTR	DESCRIPTION	DATE	DWN	APVD
-	-		G	REVISED PER E.O. P17741	27DEC2002	-	RDR
			H	REVISED PER E.O. P21133	29SEP2011	-	RDR
			J	REVISED PER E.O. P21366	4JUN2012	-	RDR
			J1	REVISED PER ECO-14-002953	29JAN2014	PV	DM

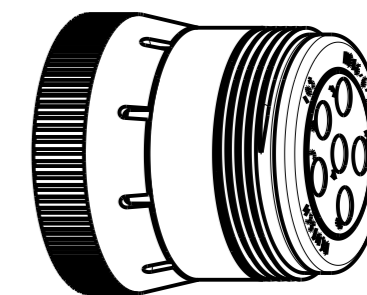


- 5 MATERIAL: PLUG HOUSING AND WELD RING: PA 15%GF (GREY) GROMMET: SILICONE (RED)
- 4 OVERALL DIMENSION DOES NOT INCLUDE RUBBER GROMMET.
- 3. THIS PLUG MATES WITH RECEPTACLE (X= SEAL TYPE, XXXX= ALL MODIFICATIONS). HD10-6-96PX-XXXX HD14-6-96PX-XXXX
- 2 SEE DRAWING 0425-015-0000 FOR CONTACT AND WIRE PERFORMANCE AND APPLICATION CHARACTERISTICS.

1. SEE TABLE FOR USABLE WIRE RANGE AND INSUALTION RANGE

CONTACT SIZE	MINIMUM O.D.	MAXIMUM O.D.	WIRE RANGE [mm ²]
16	.100 [2.54]	.150 [3.81]	14-20 AWG [2.0-.50]

NOTES:



3D VIEW

THIS DRAWING IS A CONTROLLED DOCUMENT.		DWN R. OCHOA 11SEP1998	 TE Connectivity	
DIMENSIONS: INCHES [mm]		CHK I. GRANTCHAROVA 18SEP2013		
TOLERANCES UNLESS OTHERWISE SPECIFIED:		APVD D. MEYER 19SEP2013	NAME PLUG, CONNECTOR HD10 SERIES ARR. 6-96 COLOR: GREY	
0 PLC ± 1 PLC ± 2 PLC ± 3 PLC ±.025 4 PLC ± ANGLES ±0°30'0"		PRODUCT SPEC -	SIZE A3 CAGE CODE 00779 DRAWING NO. HD16-6-96S	
MATERIAL 5		APPLICATION SPEC -	RESTRICTED TO -	
FINISH -		WEIGHT 32.25 (g)	SCALE 2:1 SHEET 1 OF 1 REV J1	
		Customer Drawing		