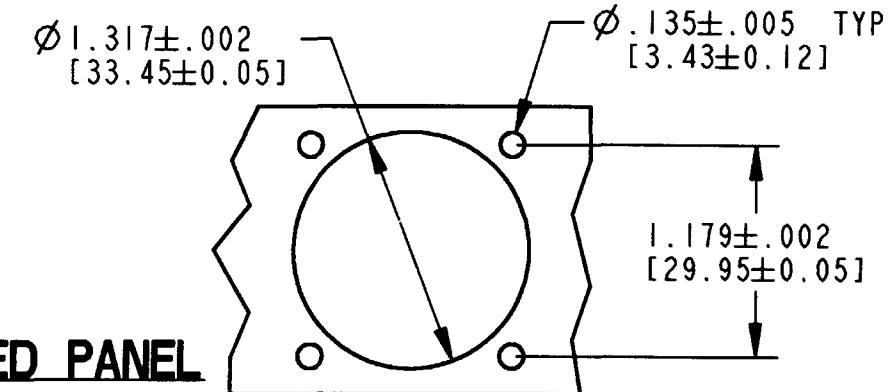
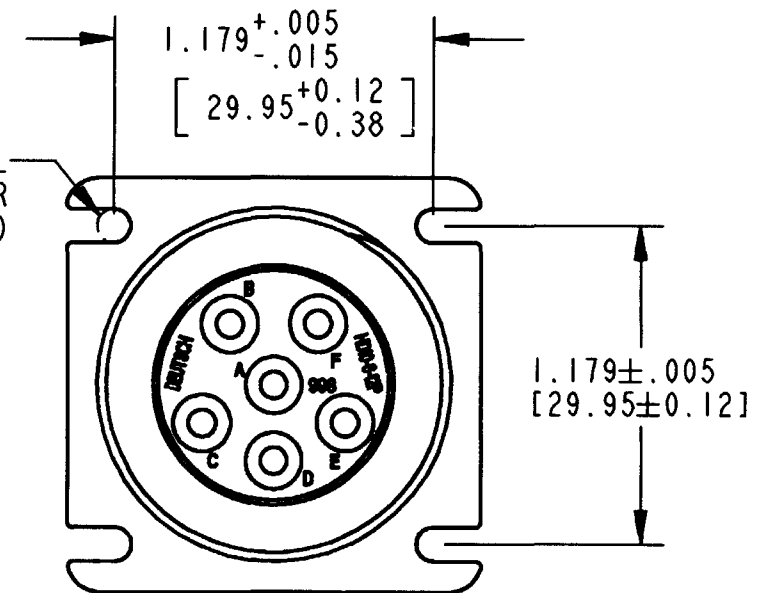


Ø.125±.015 4PL
(PHANTOM LINE FOR CLARIFICATION ONLY)

1.3125-18 UNEF-2A
THREAD REF



RECOMMENDED PANEL CUTOUT

REV
E HD10-6-12P

REVISIONS			
SYM	DESCRIPTION	DATE	APPROVED
B	REVISED PER E.O. A13684	10/5/93	J.A.
C	REVISED PER E.O. P15768	8/27/98	R.D.R.
D	REVISED PER E.O. P16295	9/28/99	R.D.R.
E	REVISED PER E.O. P18014	1-14-03	RDR

8. MATERIAL: SHELL: PLASTIC; SEAL: RUBBER.

7. OVERALL DIMENSION DOES NOT INCLUDE RUBBER GROMMET.

6. THIS RECEPTACLE MATES WITH THE HD16-6-12S*-***** PLUG (*=SEAL TYPE, *****= ALL MODIFICATIONS).

5. FOR "PERFORMANCE AND APPLICATION CHARACTERISTICS OF SOLID/STAMPED AND FORMED CONTACTS AND WIRES", SEE ENVELOPE DRAWING 0425-015-0000. THIS RECEPTACLE USES PIN CONTACTS ONLY.

4. MAXIMUM PANEL THICKNESS IS .250 [6.35].

3. ALL DIMENSIONS ARE IN INCHES [MILLIMETERS].

2. THIS CONNECTOR WILL ACCOMMODATE THE FOLLOWING WIRE INSULATION DIAMETERS:

CONTACT SIZE	MINIMUM O.D.	MAXIMUM O.D.
12	.134 [3.40]	.170 [4.31]

1. CONSULT FACTORY FOR ELECTRICAL AND MATERIAL SPECIFICATION.
NOTES:

SIGNATURE & DATE	
DR	X. SANCHEZ 21AUG02
CHK	Paul Rhee 1/13/03
PE	S. Beard 1-13-02
APPD	R. Reed 1-14-03
SCALE	NONE WT

RECEPTACLE
SQUARE FLANGE
HD10 SERIES
ARR. 6-12
COLOR: GREY
ENVELOPE

CP	MATL. CODE
The Deutsch Company	
DEUTSCH I.P.D. 3850 INDUSTRIAL AVE. HEMET, CALIF. 92545	
B	HD10-6-12P
DWG SIZE	CODE 11139 SHEET OF