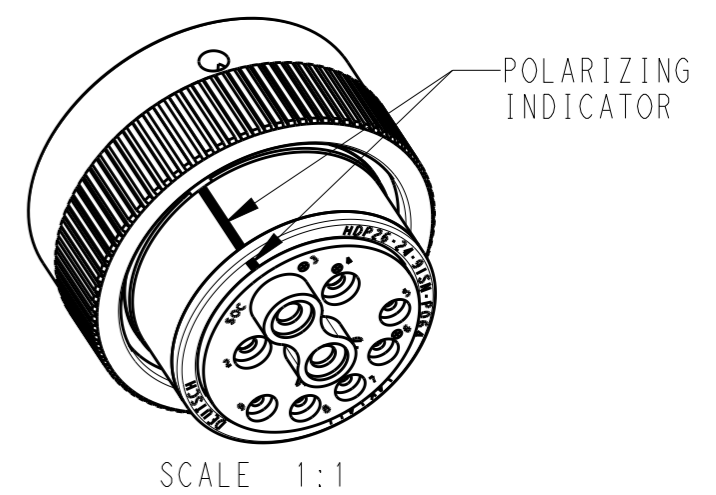
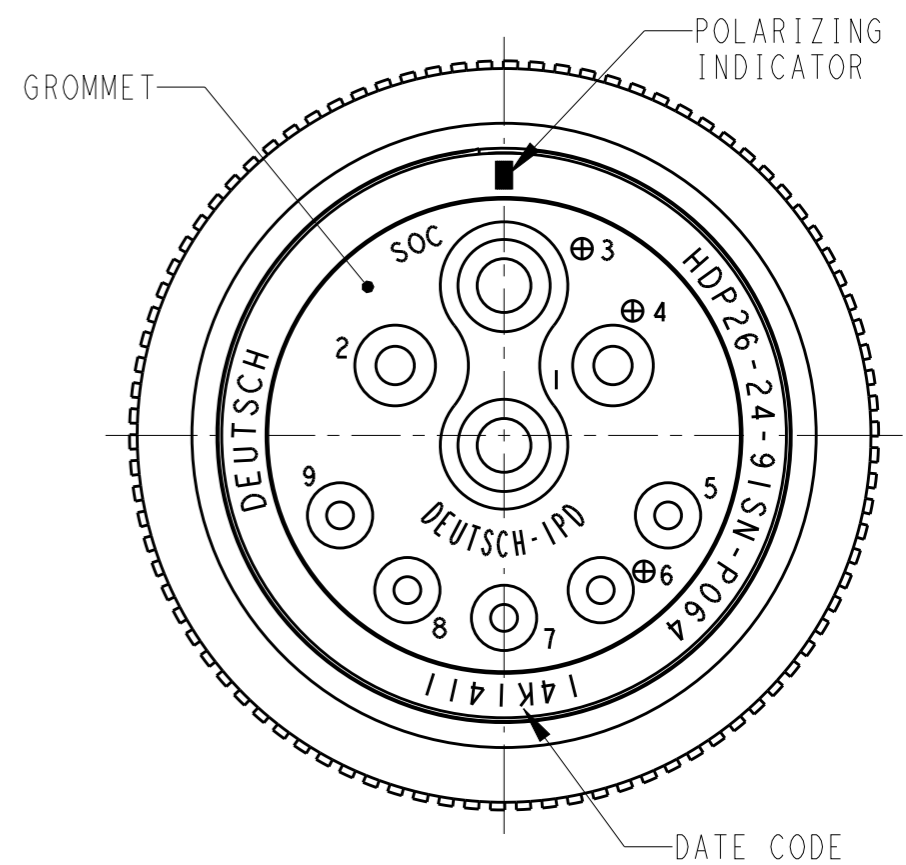
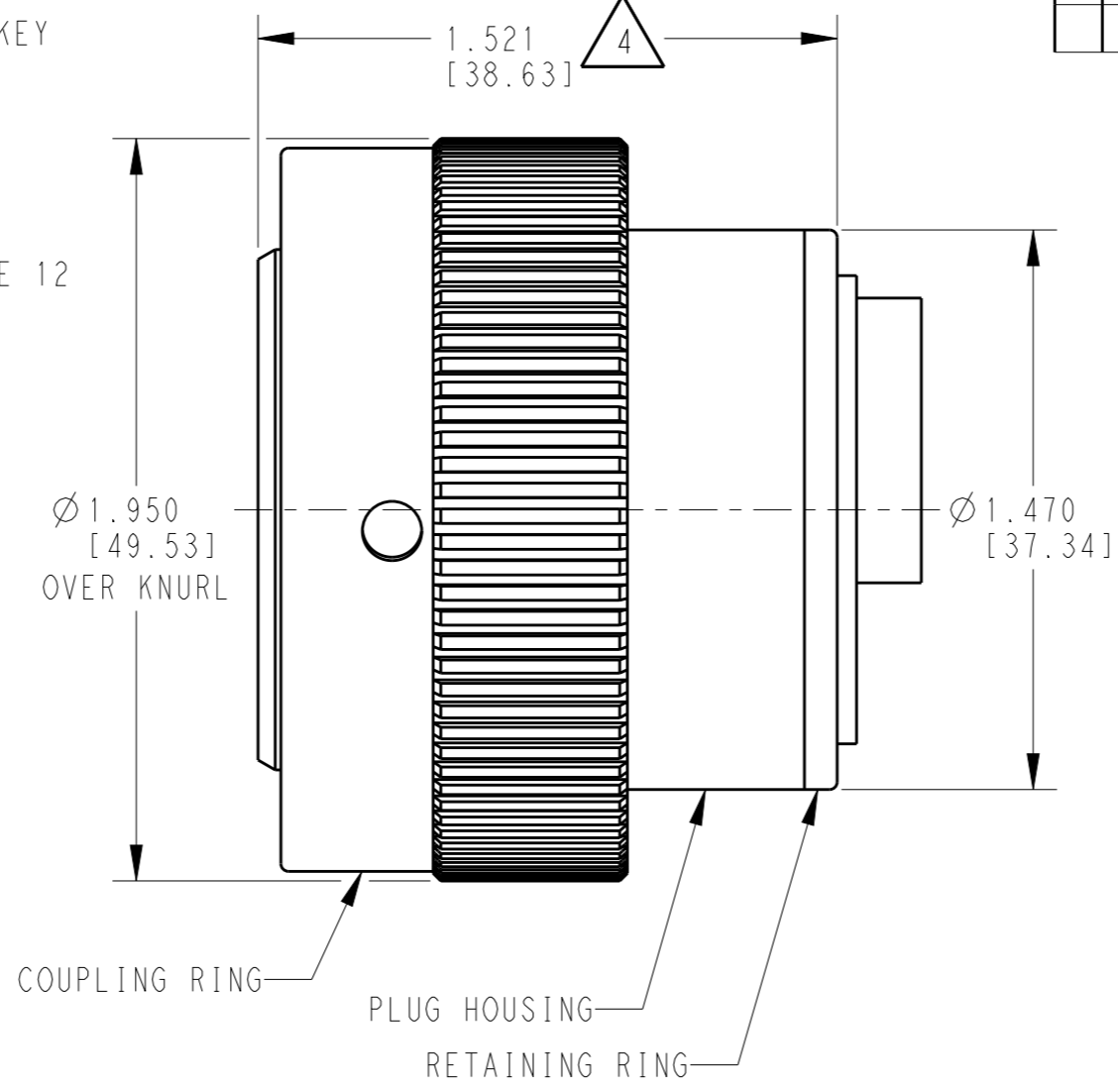
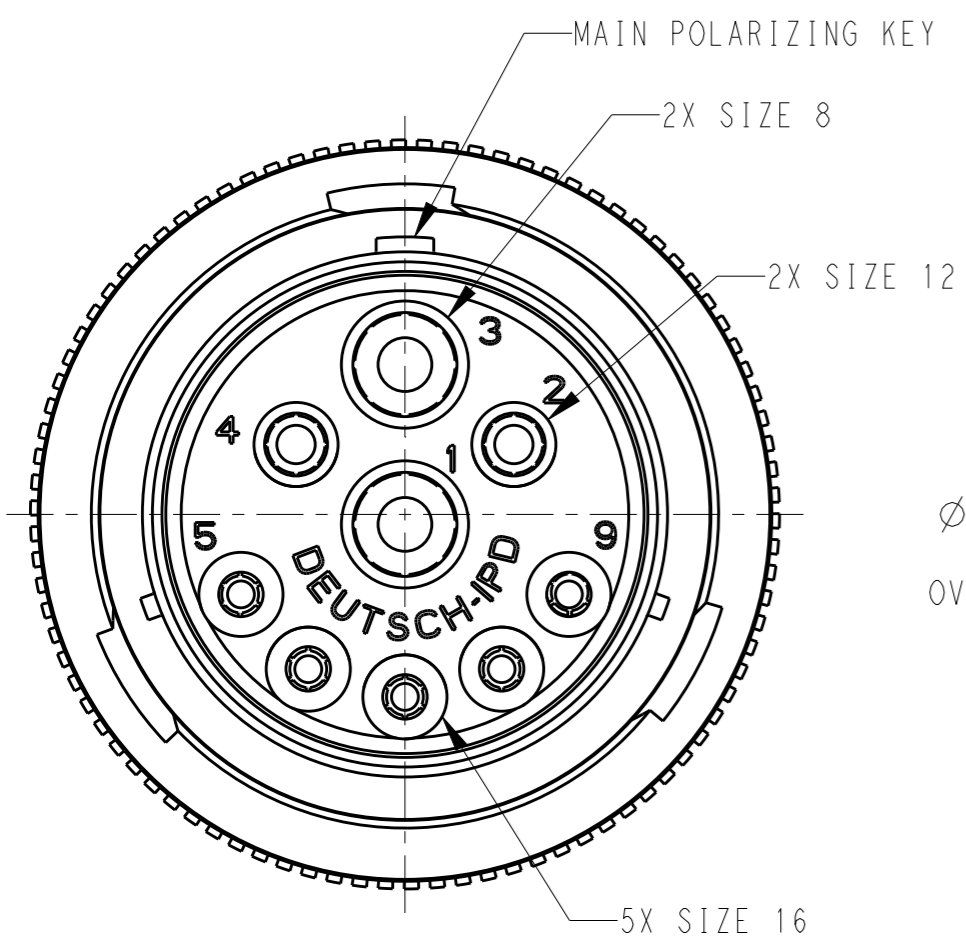


LOC	DIST	REVISIONS			
P	LTR	DESCRIPTION	DATE	DWN	APVD
		NC	NEW RELEASE PER E.O. P20445	26FEB2010	AM RDR
		A	REVISED PER ECO-14-019072	23FEB2015	JA DM
		A1	REVISED PER ECO-16-006700	10MAR2016	CS DM



5. PART MODIFICATION:
 ELIMINATES JUMPER SEAL PLUG AND CONTACT

△4 NOTED DIMENSION DOES NOT INCLUDE GROMMET PROTRUSION.


△3 MATERIAL: PLUG HOUSING/COUPLING RING: PA66 GF10 (BLACK)
 RETAINER RING: PA66 GF10 (GREEN, GRAY, BLUE)
 GROMMET: SILICONE (ORANGE-RED)

△2 SEE 0425-021-0000 APPLICATION SPECIFICATION
 A. RECOMMENDED WIRE INSULATION RANGE
 B. CONTACT REMOVAL TOOLS

1. THIS PLUG MATES WITH HDP24-24-91PX-XXXX RECEPTACLE
 X = SEAL TYPE (N,T,E)
 XXXX = MODIFICATION

NOTES:

TE INTERNAL PN	DEUTSCH PN
HDP26-24-91SN-P064	HDP26-24-91SN-P064
2301339-1	HDP26-24-91SE-P064

THIS DRAWING IS A CONTROLLED DOCUMENT.		DWN 23FEB2010 ALDO MALAGON	 TE Connectivity													
DIMENSIONS: INCHES [mm]		CHK 26FEB2010 BRICE BYFORD														
TOLERANCES UNLESS OTHERWISE SPECIFIED:		APVD 26FEB2010 STEVE BEARD	NAME PLUG, COUPLING RING SIZE 24 HDP SERIES													
<table border="0"> <tr> <td>0 PLC</td><td>±</td></tr> <tr> <td>1 PLC</td><td>±</td></tr> <tr> <td>2 PLC</td><td>±</td></tr> <tr> <td>3 PLC</td><td>±.015 [0.38]</td></tr> <tr> <td>4 PLC</td><td>±</td></tr> <tr> <td>ANGLES</td><td>± ±0°30'0"</td></tr> </table>		0 PLC	±	1 PLC	±	2 PLC	±	3 PLC	±.015 [0.38]	4 PLC	±	ANGLES	± ±0°30'0"	PRODUCT SPEC 0425-021-0000	SIZE A3	
0 PLC	±															
1 PLC	±															
2 PLC	±															
3 PLC	±.015 [0.38]															
4 PLC	±															
ANGLES	± ±0°30'0"															
MATERIAL △3		APPLICATION SPEC △2	CAGE CODE 4AFU8	DRAWING NO HDP26-24-91SX-P064												
FINISH N/A		WEIGHT 55.45g	RESTRICTED TO -													
		Customer Drawing	SCALE 2:1	SHEET 1 OF 1 REV A1												