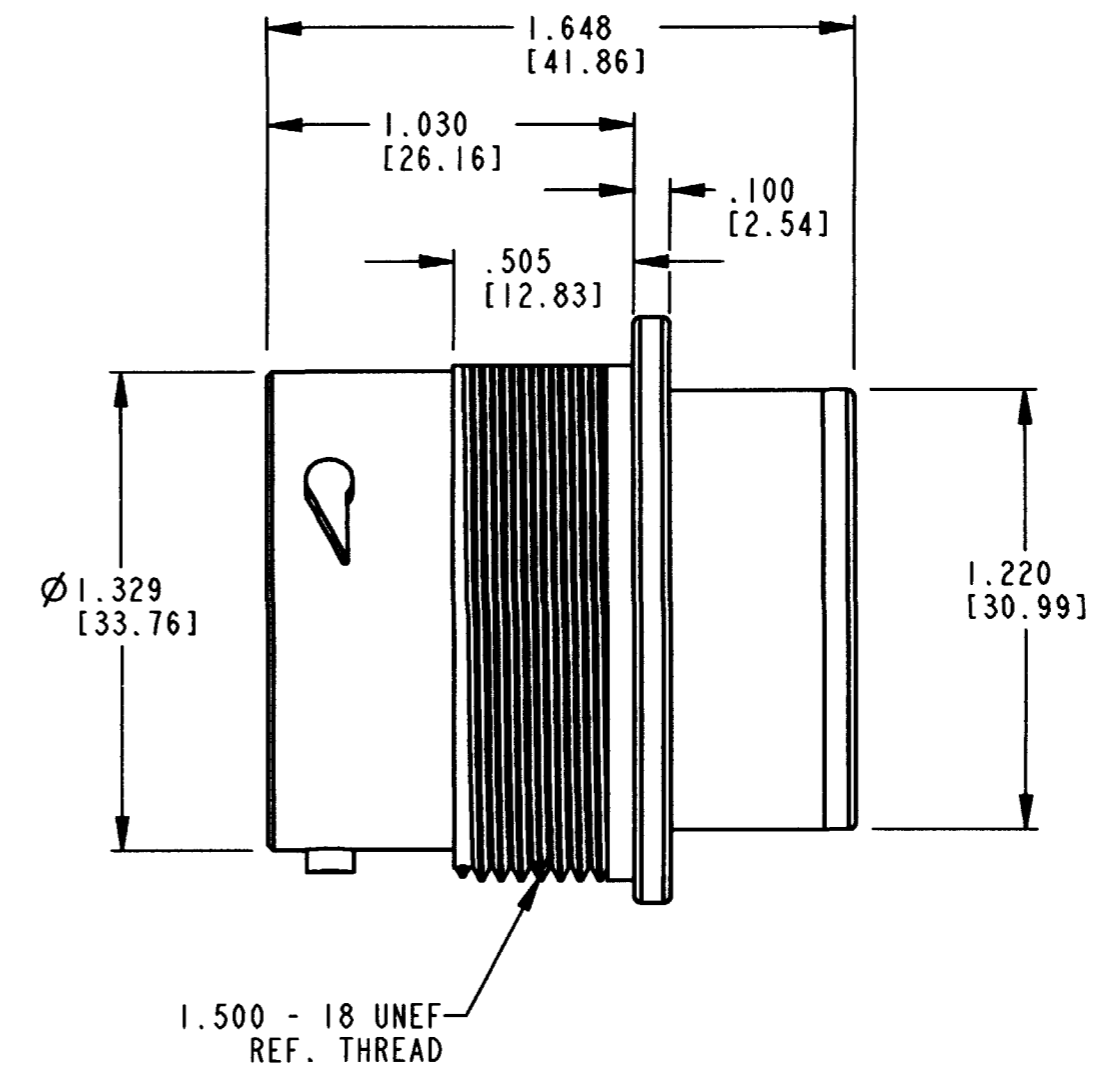
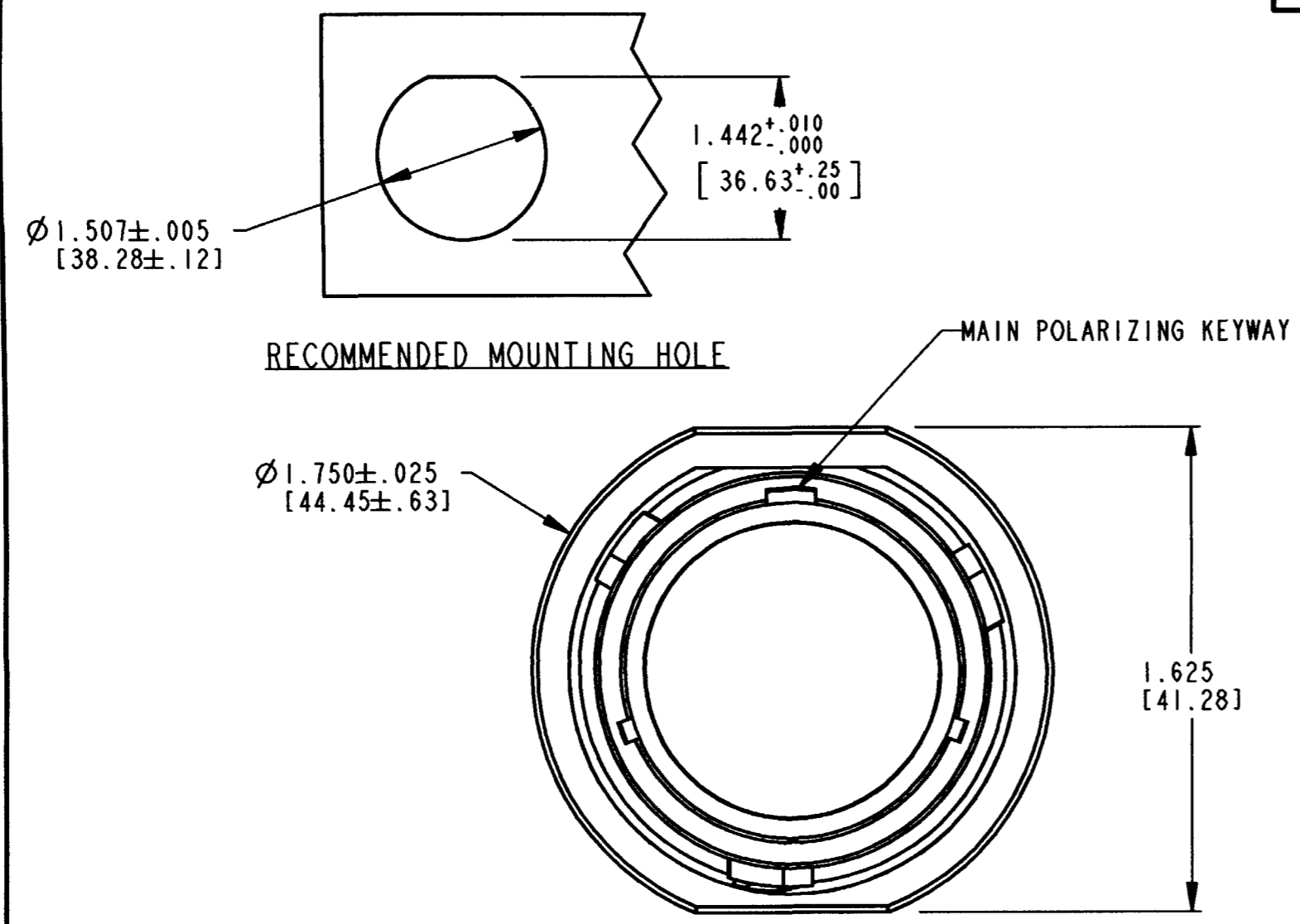


REV
C HDP24-18-X*P/S*

REVISIONS			
SYM	DESCRIPTION	DATE	APPROVED
NC	NEW RELEASE PER E.O. P16488	2-4-00	RDR
A	REVISED PER E.O. P16875	9/29/00	RDR
B	REVISED PER E.O. P17591	1/17/02	RDR
C	REVISED PER E.O. P18449	2-4-04	RDR



6. THIS PART MATES WITH HDP26-18-***S/P*-**** (**** = ALL MODIFICATIONS, * = TYPE OF SEAL.)
5. FOR ARRANGEMENT OF CONTACT LOCATION SEE ENVELOPE DRAWING 0425-013-1800.
4. FOR CONTACTS, WIRES, CONNECTOR PERFORMANCE AND APPLICATION CHARACTERISTICS SEE ENVELOPE DRAWING 0425-015-0000 AND 0425-021-0000.
3. DIMENSIONS ARE IN INCHES [MILLIMETERS].
2. RECOMMENDED PANEL THICKNESS: .062[1.58] TO .187[4.76].
1. THIS RECEPTACLE TO BE USED WITH 114020-90 (ALUMINUM) OR 2411-002-1805 (PLASTIC) PANEL NUT AND 2414-002-1886 LOCK WASHER.

7. DIMENSION TOLERANCES ARE ±.025 [±.63] UNLESS OTHERWISE NOTED.

SIGNATURE & DATE		RECEPTACLE CONNECTOR SHELL SIZE 18 BAYONET COUPLING HDP20 SERIES	CP	MATL CODE
DR	S. BEARD 12JAN00		The Deutch Company DEUTSCH I.P.D. 3850 INDUSTRIAL AVE. HEMET, CALIF. 92545	
CHK	J. Lim 2/4/04		B HDP24-18-X*P/S*	
PE	C. Polinski 1/15/04			
APPD	Spand 1-16-04	ENVELOPE	DWG SIZE	CODE 11139
SCALE	NONE	WT	SHEET OF	