

| REV | | REVISIONS | | | |
|-----|------------|-----------|-----------------------------|---------|----------|
| NC | DTM04-08P* | SYM | DESCRIPTION | DATE | APPROVED |
| NC | | | NEW RELEASE PER E.O. P17232 | 4-19-01 | RDR |
| | | | | | |
| | | | | | |

7. SEE SHEET 2 FOR OTHER KEY ARRANGEMENTS.
6. MATERIAL - HOUSING: PLASTIC; GROMMET: RUBBER.
5. THIS RECEPTACLE MATES WITH DTM06-08S*-**** PLUG. (* = A,B,C,D KEYS; **** = ALL MODIFICATIONS)
4. FOR CONTACT AND WIRE PERFORMANCE AND APPLICATION CHARACTERISTICS SEE ENVELOPE DRAWING 0425-015-0000.
3. SECONDARY WEDGE LOCK SOLD SEPARATELY: WM-8P.
2. DIMENSION TOLERANCE: $\pm .025$ [.64].
1. DIMENSIONS ARE IN INCHES [mm].

NOTES: UNLESS OTHERWISE SPECIFIED

| CONTACT SIZE | MIN. INSUL. O.D. | MAX. INSUL. O.D. | WIRE RANGE [mm ²] REF ONLY |
|--------------|------------------|------------------|--|
| 20 | .053 [1.35] | .120 [3.05] | 16-22 AWG [1.0-0.5] |

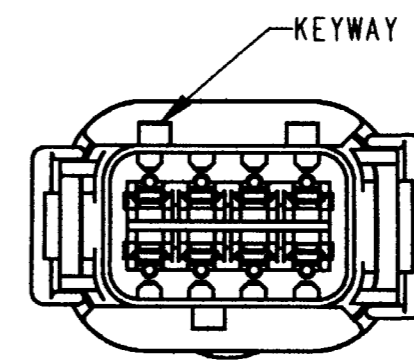
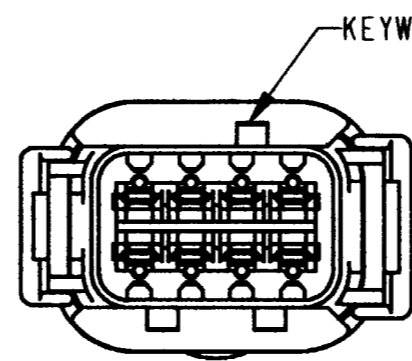
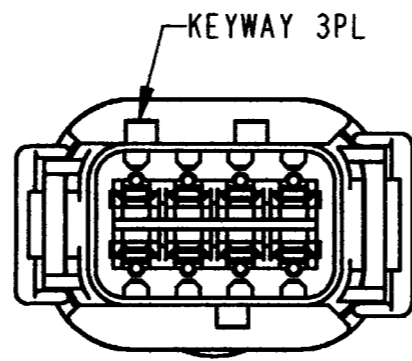
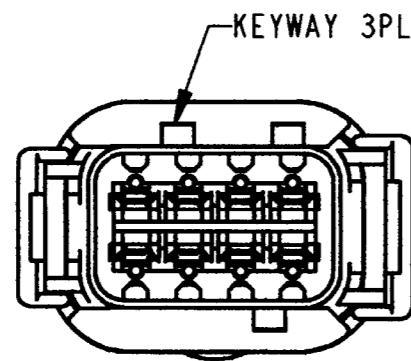
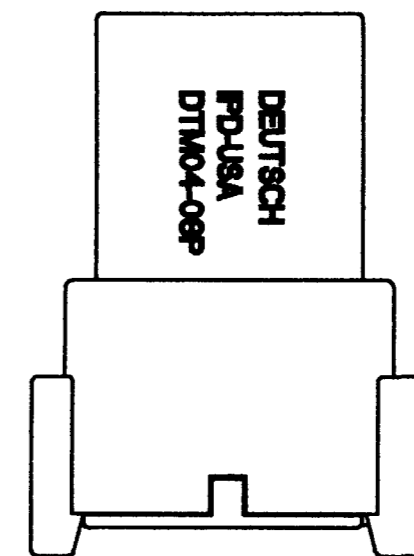
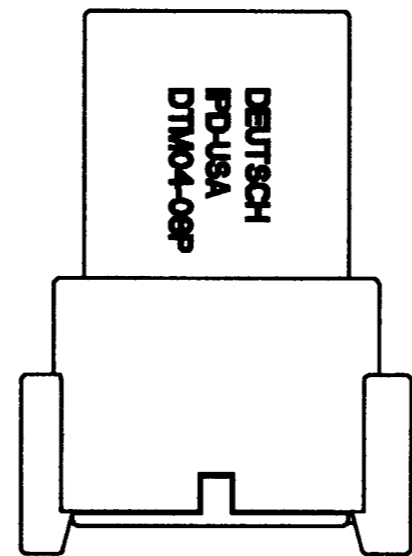
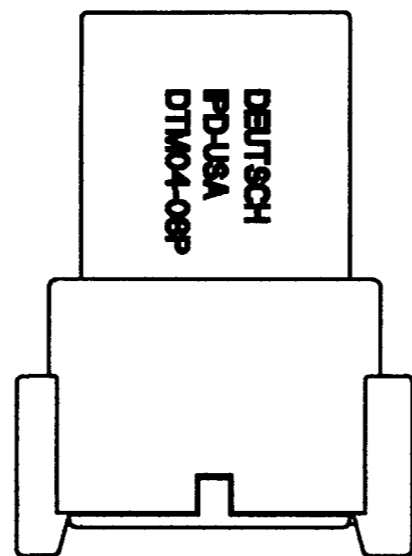
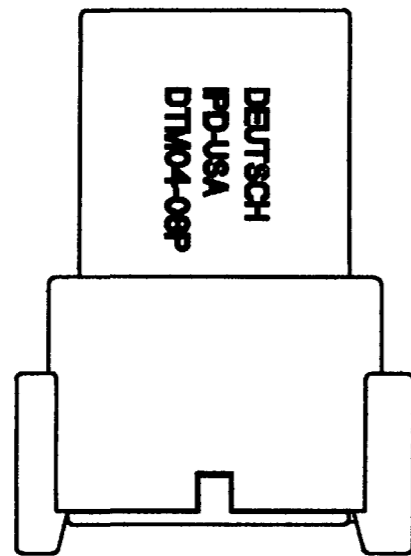
| SIGNATURE & DATE | |
|------------------|----------------------------|
| DR | J. APOSTOL 16 APR 2001 |
| CHK | <i>[Signature]</i> 4/18/01 |
| PE | <i>[Signature]</i> 4/18/01 |
| APPD | <i>[Signature]</i> 4-19-01 |
| SCALE | NONE WT |

RECEPTACLE
8 CONTACTS, SIZE 20
A,B,C,D KEYS
DTM SERIES

ENVELOPE

| CP | MATL. CODE |
|---|-------------------------|
| The Deutsch Company DEUTSCH I.P.D. 3850 INDUSTRIAL AVE. HEMET, CALIF. 92545 | |
| B | DTM04-08P* |
| DWG SIZE | CODE 11139 SHEET 1 OF 2 |

| REV NC | DTM04-08P* | REVISIONS | | |
|--------|---------------|-----------|----------|--|
| SYM | DESCRIPTION | DATE | APPROVED | |
| | SEE SHEET ONE | 4-19-01 | RBA | |
| | | | | |
| | | | | |



DTM04-08PA
KEY -A-
COLOR: GREY

DTM04-08PB
KEY -B-
COLOR: BLACK

DTM04-08PC
KEY -C-
COLOR: GREEN

DTM04-08PD
KEY -D-
COLOR: BROWN

NOTES:

| | | | | | |
|------------------|------------------------|--|---|------------|--------------|
| SIGNATURE & DATE | | RECEPTACLE 8 CONTACTS, SIZE 20 A, B, C, D KEYS DTM SERIES | CP | MATL. CODE | |
| DR | J. APOSTOL 16 APR 2001 | | The Deusch Company DEUTSCH I.P.D. 3850 INDUSTRIAL AVE. HEMET, CALIF. 92545 | | |
| CHK | Rmlyg 4/18/01 | | B | DTM04-08P* | |
| PE | Dmeyer 4/16/01 | | | CODE | SHEET 2 OF 2 |
| APPD | R. Reed 4-19-01 | | | DWG SIZE | 11139 |
| SCALE | NONE | WT | ENVELOPE | | |