

REV NC		REVISIONS		
SYM	DESCRIPTION	DATE	APPROVED	
NC	NEW RELEASE PER E.O. P17232	4-19-01	RDR	

7. SEE SHEET 2 FOR OTHER KEY ARRANGEMENTS.
6. MATERIAL - HOUSING: PLASTIC; GROMMET: RUBBER.
5. THIS RECEPTACLE MATES WITH DTM06-08S*-**** PLUG. (* = A,B,C,D KEYS; **** = ALL MODIFICATIONS)
4. FOR CONTACT AND WIRE PERFORMANCE AND APPLICATION CHARACTERISTICS SEE ENVELOPE DRAWING 0425-015-0000.
3. SECONDARY WEDGE LOCK SOLD SEPARATELY: WM-8P.
2. DIMENSION TOLERANCE: $\pm .025$ [.64].
1. DIMENSIONS ARE IN INCHES [mm].

NOTES: UNLESS OTHERWISE SPECIFIED

CONTACT SIZE	MIN. INSUL. O.D.	MAX. INSUL. O.D.	WIRE RANGE [mm ²] REF ONLY
20	.053 [1.35]	.120 [3.05]	16-22 AWG [1.0-0.5]

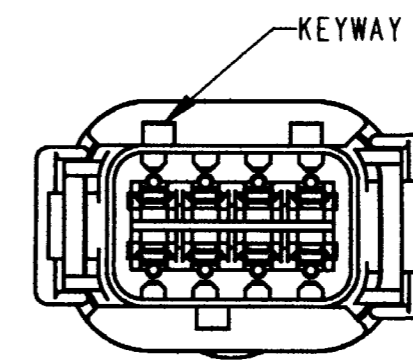
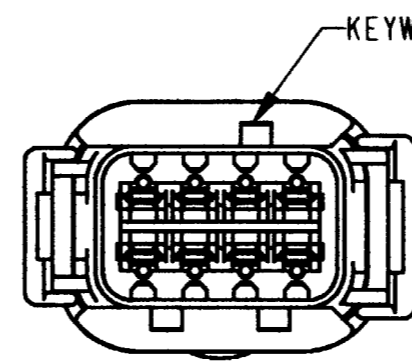
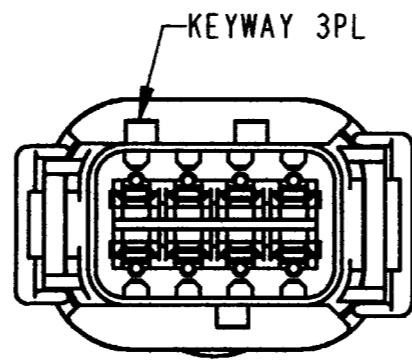
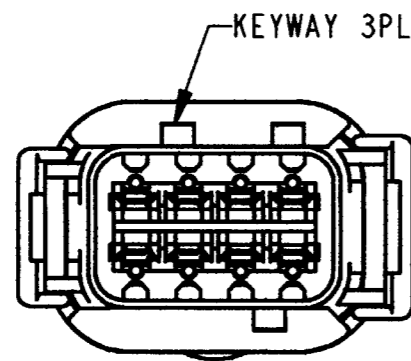
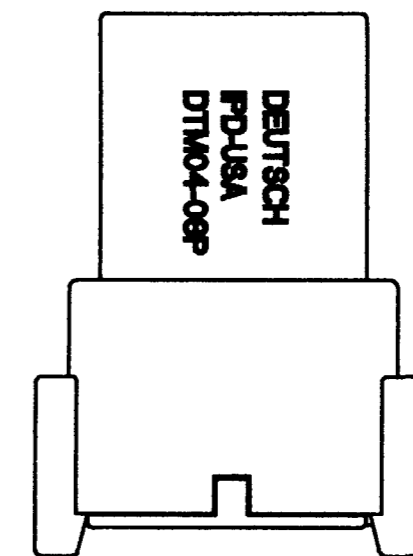
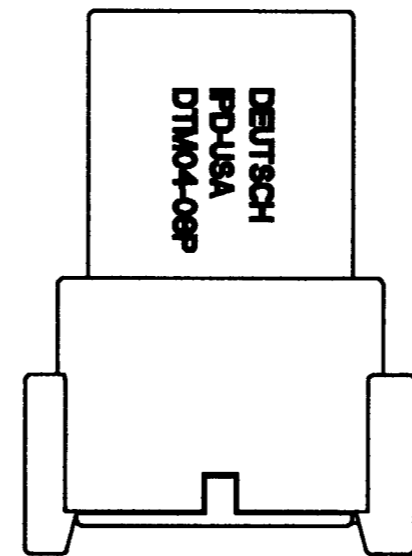
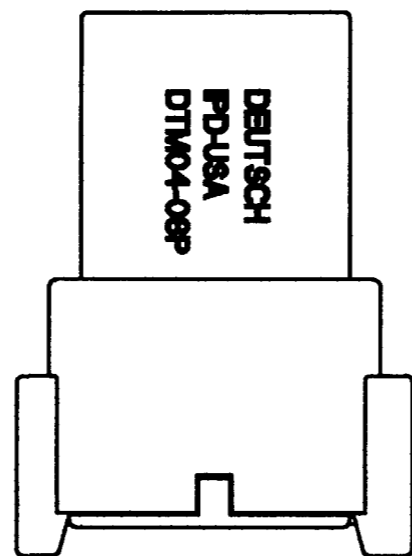
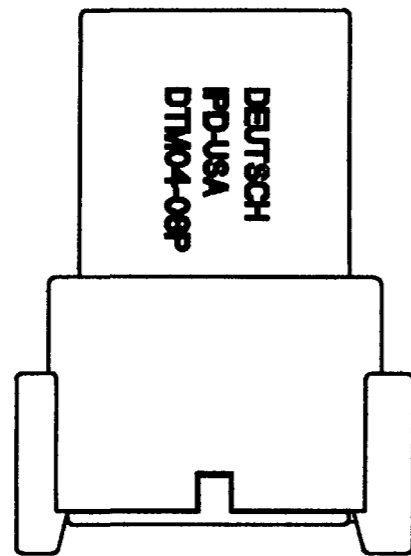
SIGNATURE & DATE	
DR	J. APOSTOL 16 APR 2001
CHK	<i>[Signature]</i> 4/18/01
PE	<i>[Signature]</i> 4/18/01
APPD	<i>[Signature]</i> 4-19-01
SCALE	NONE WT

RECEPTACLE
8 CONTACTS, SIZE 20
A,B,C,D KEYS
DTM SERIES

ENVELOPE

CP	MATL. CODE
The Deutsch Company DEUTSCH I.P.D. 3850 INDUSTRIAL AVE. HEMET, CALIF. 92545	
B	DTM04-08P*
DWG SIZE	CODE 11139 SHEET 1 OF 2

REV	DTM04-08P*	REVISIONS			
NC		SYM	DESCRIPTION	DATE	APPROVED
			SEE SHEET ONE	4-19-01	RBA



DTM04-08PA
KEY -A-
COLOR: GREY

DTM04-08PB
KEY -B-
COLOR: BLACK

DTM04-08PC
KEY -C-
COLOR: GREEN

DTM04-08PD
KEY -D-
COLOR: BROWN

NOTES:

SIGNATURE & DATE	
DR	J. APOSTOL 16APR2001
CHK	Rmlyg 4/18/01
PE	Dmeyer 4/16/01
APPD	R. Reed 4-19-01
SCALE	NONE WT

RECEPTACLE
8 CONTACTS, SIZE 20
A, B, C, D KEYS
DTM SERIES

ENVELOPE

CP	MATL. CODE
The Deusch Company DEUTSCH I.P.D. 3850 INDUSTRIAL AVE. HEMET, CALIF. 92545	
B	DTM04-08P*
DWG SIZE	CODE SHEET 2 OF 2