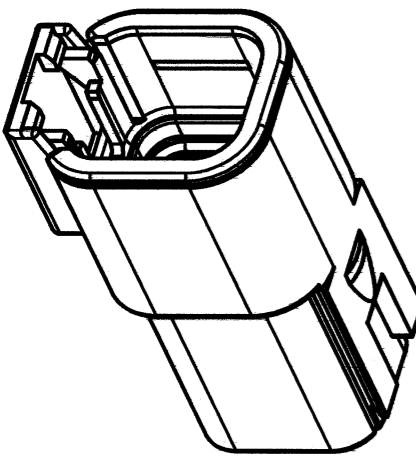
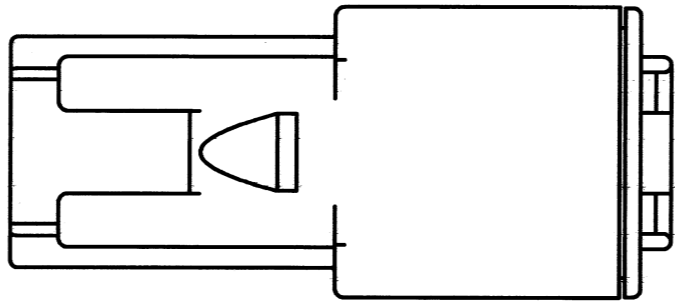
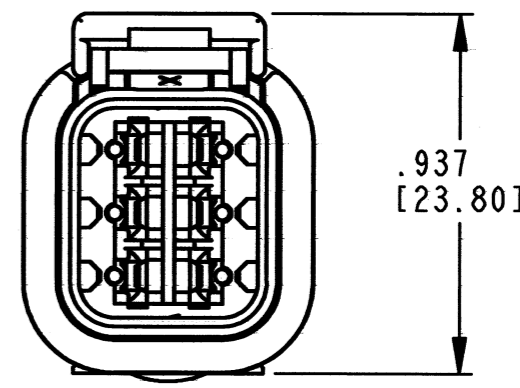
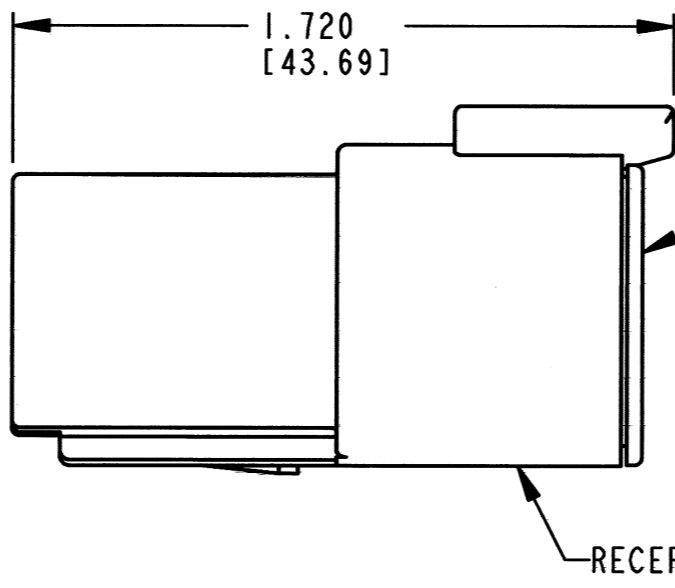
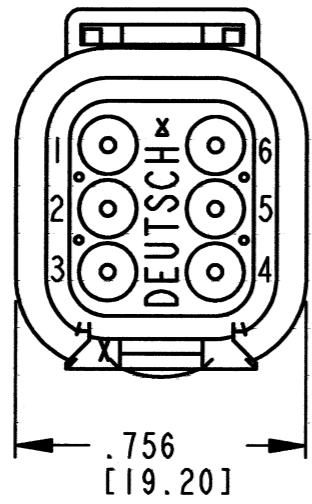


REV
B DTM04-6P

REVISIONS			
SYM	DESCRIPTION	DATE	APPROVED
NC	NEW RELEASE PER E.O. PI4874	07/21/95	R.D.R.
A	REVISED PER E.O. PI9477	2/16/07	R.D.R.
B	REVISED PER E.O. P21050	9-16-11	ADP



COUNTRY OF ORIGIN
DEUTSCH
MADE IN CHINA
DTM04-6P



- 6. MATERIAL - HOUSING: PLASTIC; GROMMET: RUBBER.
- 5. THIS RECEPTACLE MATES WITH DTM06-6S-**** PLUG. (**** = ALL MODIFICATIONS).
- 4. FOR CONTACT AND WIRE PERFORMANCE AND APPLICATION CHARACTERISTICS SEE ENVELOPE DRAWING 0425-015-0000.
- 3. SECONDARY WEDGE LOCK SOLD SEPARATELY: WM-6P.
- 2. DIMENSION TOLERANCE: $\pm .025$ [.64].
- 1. DIMENSIONS ARE IN INCHES [mm].

NOTES: UNLESS OTHERWISE SPECIFIED

CONTACT SIZE	MIN. INSUL O.D. [mm]	MAX. INSUL O.D. [mm]	WIRE RANGE [mm ²] REF ONLY
20	.053 [1.35]	.120 [3.05]	16-22 AWG [1.0-0.5]

SIGNATURE & DATE	
DR	C. MARTINEZ 02/12/07
CHK	<i>[Signature]</i> 9/13/2011
PE	<i>[Signature]</i> 8-31-11
APPD	<i>[Signature]</i> 9/12/11
SCALE	NONE
WT	---

6 WAY RECEPTACLE
COLOR: GREY
DTM SERIES

ENVELOPE

EP	MATL. CODE
3850 INDUSTRIAL AVE. HEMET, CA 92545	
B	DTM04-6P
DWG SIZE	CODE 11139 SHEET OF