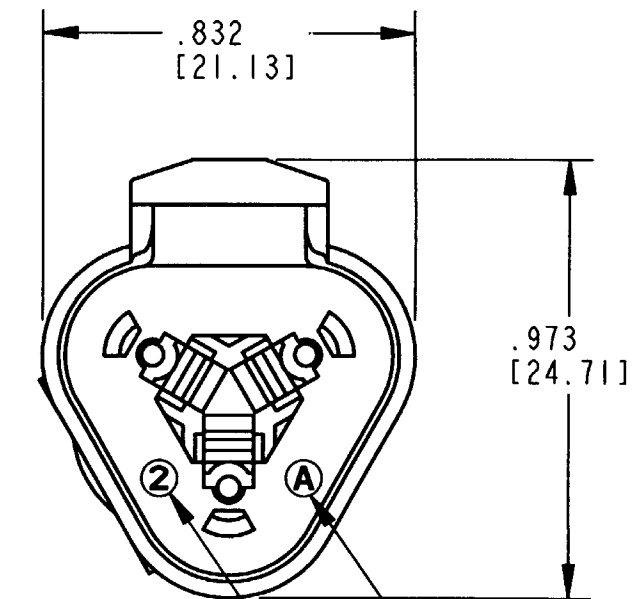
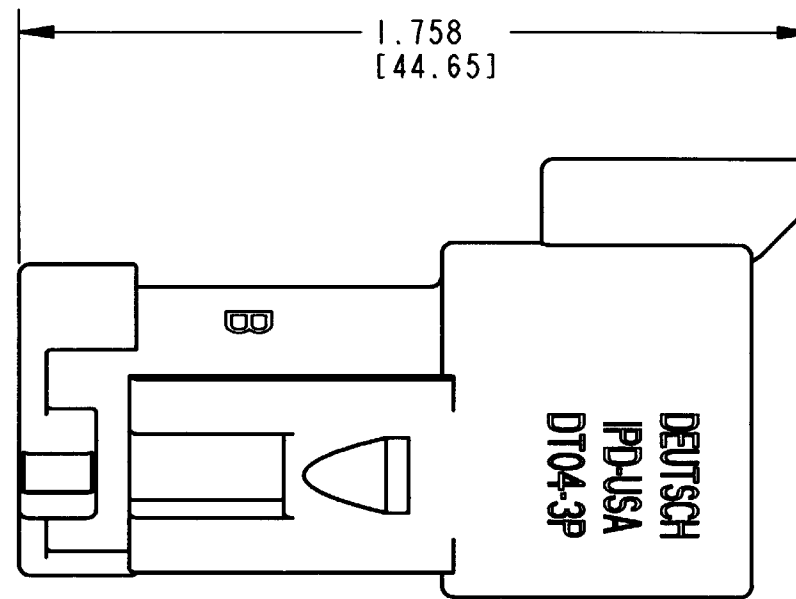
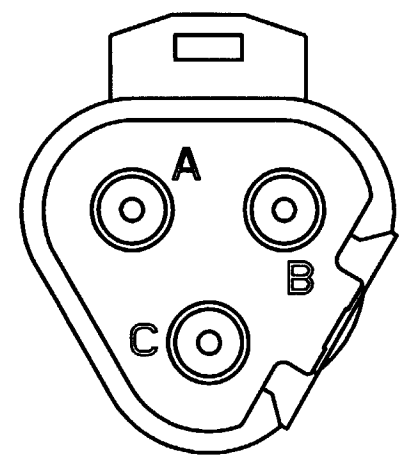


REV
A DT04-3P-E003

REVISIONS			
SYM	DESCRIPTION	DATE	APPROVED
NC	NEW RELEASE PER E.O. A09355	9/6/90	J.A.
A	REVISED PER E.O. P18184	6-6-03	RDR



DATE CODE: YEAR IS REPRESENTED BY LAST NUMERICAL DIGIT (EX: 0=2000).

DATE CODE: SEQUENTIAL ALPHA CHARACTERS REPRESENT MONTH (EX: A=JANUARY).

CONTACT SIZE	MIN. INSUL O.D.	MAX. INSUL O.D.	WIRE RANGE [mm ²]
16	.088 [2.24]	.145 [3.70]	14-20 AWG [2.0-0.5]

- 6. MATERIAL: SHELL: PLASTIC; COLOR: GRAY
GROMMET: RUBBER
- 5. THIS RECEPTACLE MATES WITH THE DT06-3S-**** PLUG (****=ALL MODIFICATIONS).
- 4. THIS CONNECTOR CAN PASS THRU A ONE INCH HOLE.

3. FOR CONTACTS AND WIRE PERFORMANCE AND APPLICATION CHARACTERISTICS SEE ENVELOPE DRAWING 0425-015-0000 AND 0425-017-0000

2. DIMENSIONS ARE ±.025[0.63] UNLESS OTHERWISE SPECIFIED.

NOTES: 1. DIMENSIONS ARE IN INCHES [MILLIMETERS].

SIGNATURE & DATE	
DR	X. SANCHEZ 28MAY03
CHK	[Signature] 6/3/03
PE	[Signature] 6/3/03
APPD	[Signature] 6-5-03
SCALE	NONE
WT	

3 WAY RECEPTACLE
-E003 MOD.
D.T. SERIES

ENVELOPE

CP	MATL CODE
The Deutsch Company DEUTSCH I.P.D. 3850 INDUSTRIAL AVE. HEMET, CALIF. 92545	
B DT04-3P-E003	
DWG SIZE	SHEET OF