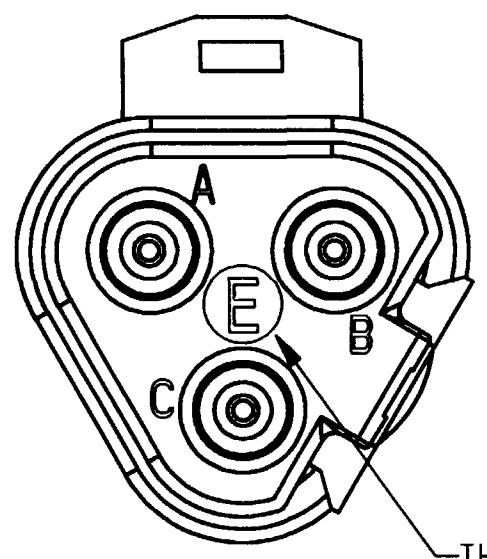
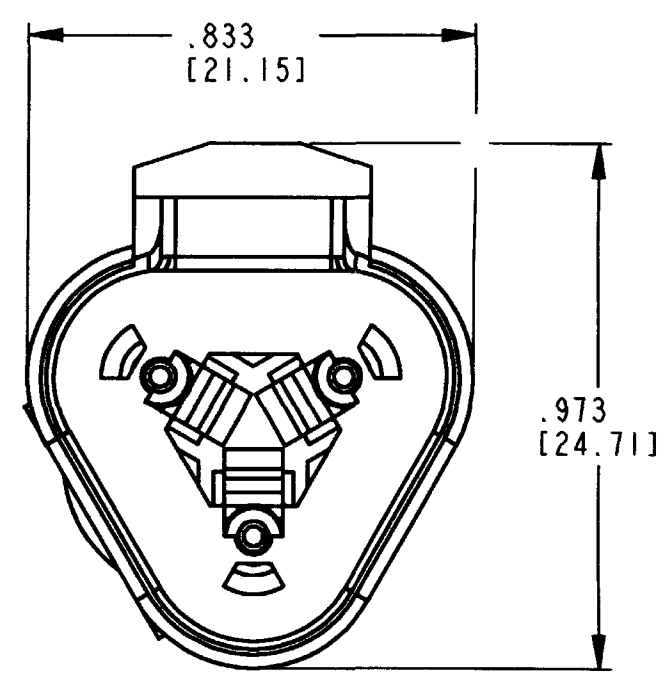
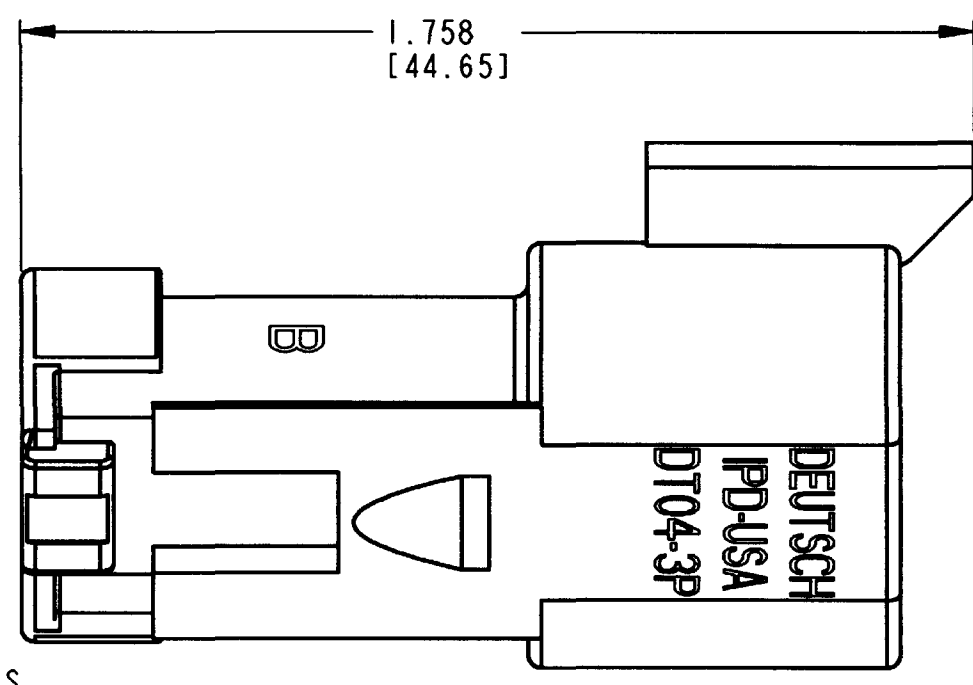


3-DIMENSIONAL VIEW



THIS MARK DESIGNATES REDUCED WIRE SEALS.



REV	DT04-3P-CE01		
A			
REVISIONS			
SYM	DESCRIPTION	DATE	APPROVED
NC	NEW RELEASE PER E.O. P15117	8-22-96	RDR
A	REVISED PER E.O. P16040	8-30-00	RDR

- NOTES:
5. THIS RECEPTACLE MATES WITH THE DT06-3S-**** PLUG (****=ALL MODIFICATIONS) CONSULT FACTORY FOR MODIFICATION.
 4. THIS CONNECTOR CAN PASS THRU A ONE INCH [25.44] HOLE.
 3. CONSULT FACTORY FOR CONTACT SPECIFICATION AND APPLICATION.
 2. DIMENSIONS ARE ±.025[0.63] UNLESS OTHERWISE SPECIFIED.
 1. DIMENSIONS ARE IN INCHES [MILLIMETERS].

CONTACT SIZE	MIN. INSUL O.D.	MAX. INSUL O.D.	WIRE RANGE [mm ²]
16	.053 [1.35]	.120 [3.05]	14-20 AWG [2.0-0.5]

SIGNATURE & DATE	
DR	T. YOHANNES 29AUG00
CHK	<i>[Signature]</i> 8/29/00
PE	<i>[Signature]</i>
APPD	<i>[Signature]</i> 8-29-00
SCALE	3:1 WT

3 WAY RECEPTACLE
 REDUCED WIRE SEALS
 W/ CAP
 COLOR: GRAY
 CE01 MOD.
 DT SERIES
 ENVELOPE

CP	MATL. CODE
The Deutsch Company DEUTSCH I.P.D. 3850 INDUSTRIAL AVE. HEMET, CALIF. 92545	
B	DT04-3P-CE01
DWG SIZE	CODE 11139 SHEET OF