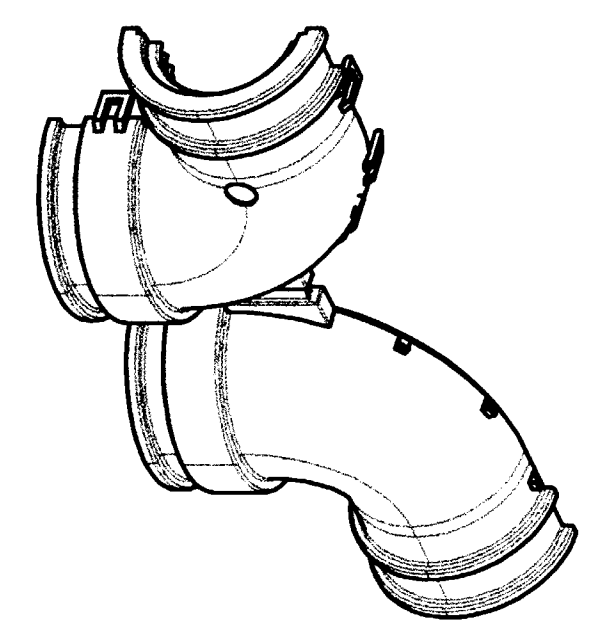
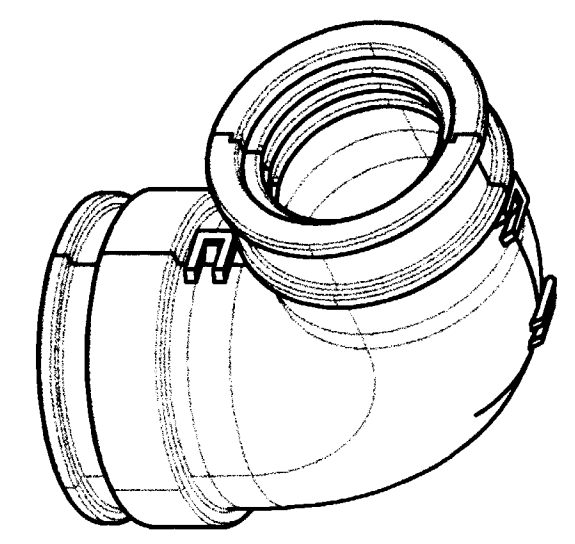
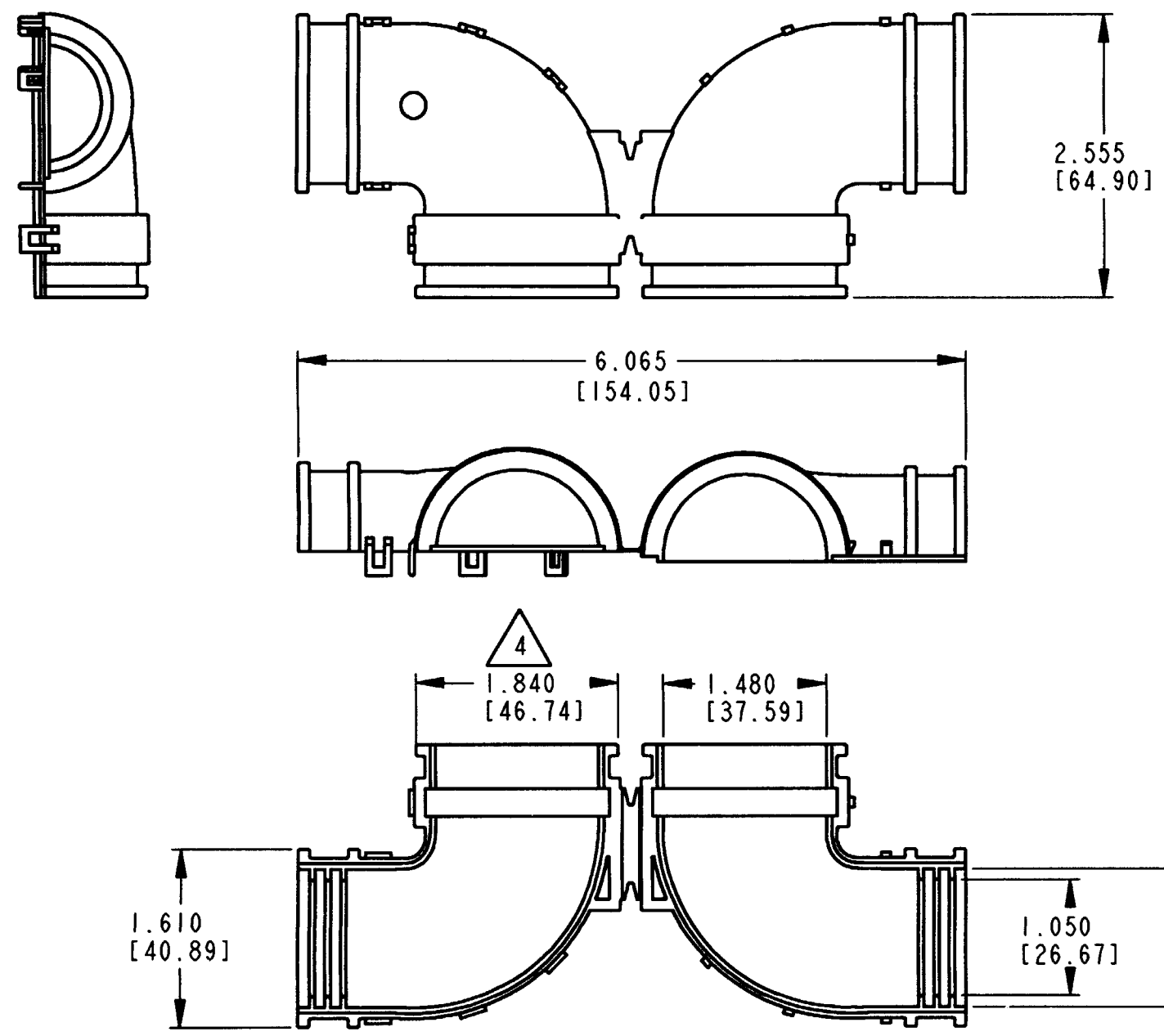


REV  
A 2428-004-2405

REVISIONS			
SYM	DESCRIPTION	DATE	APPROVED
NC	NEW RELEASE PER E.O. P15628	5-8-98	R.D.R.
A	REVISED PER E.O. P17102	1-23-01	RVR



- NOTES:
1. ALL DIMENSIONS ARE IN INCHES [MILLIMETERS].
  2. DIMENSIONS ARE  $\pm .025$  [.63] UNLESS OTHERWISE SPECIFIED.
  3. THIS PART MATES WITH HDP24/26-24-\*\*P/S\*-L017. (\*\* = ARRANGEMENT; \* = SEAL TYPE)
  4. THIS DIMENSION APPLIES AFTER BACKSHELL MATED TO HDP24/26-\*\*P/S\*-L017.

SIGNATURE & DATE	
DR	J. WOODY 4/29/98
CHK	<i>[Signature]</i> 11/7/01
PE	<i>[Signature]</i> 1-17-01
APPD	<i>[Signature]</i> 1-23-01
SCALE	NONE WT

90° BACK SHELL  
24 SIZE  
HDP SERIES  
  
ENVELOPE

CP	MATL. CODE
<b>The Deutsch Company</b> DEUTSCH I.P.D. 3850 INDUSTRIAL AVE. HEMET, CALIF. 92545	
<b>B</b>	2428-004-2405
DWG SIZE	CODE 11139 SHEET   OF