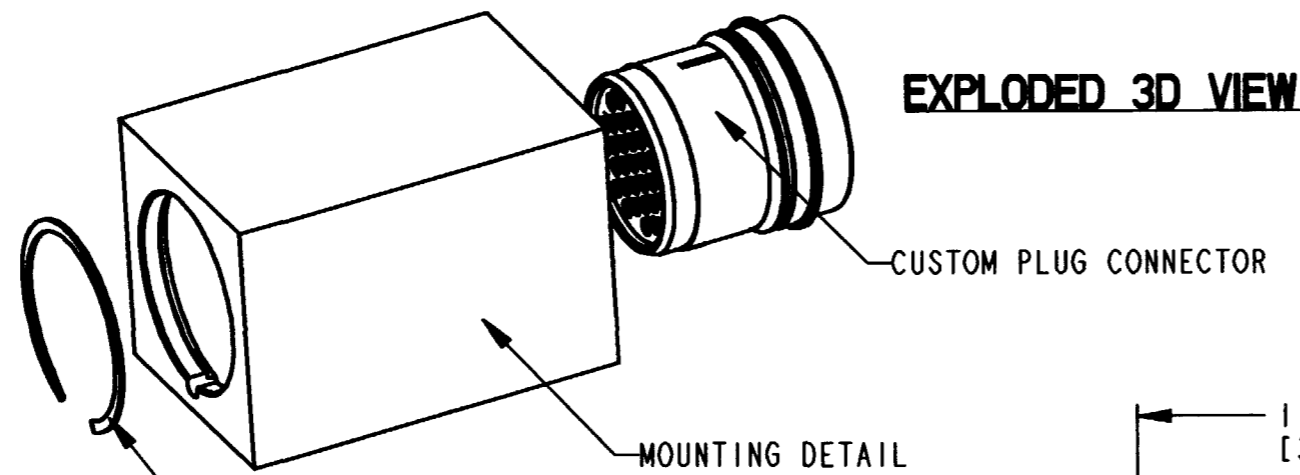
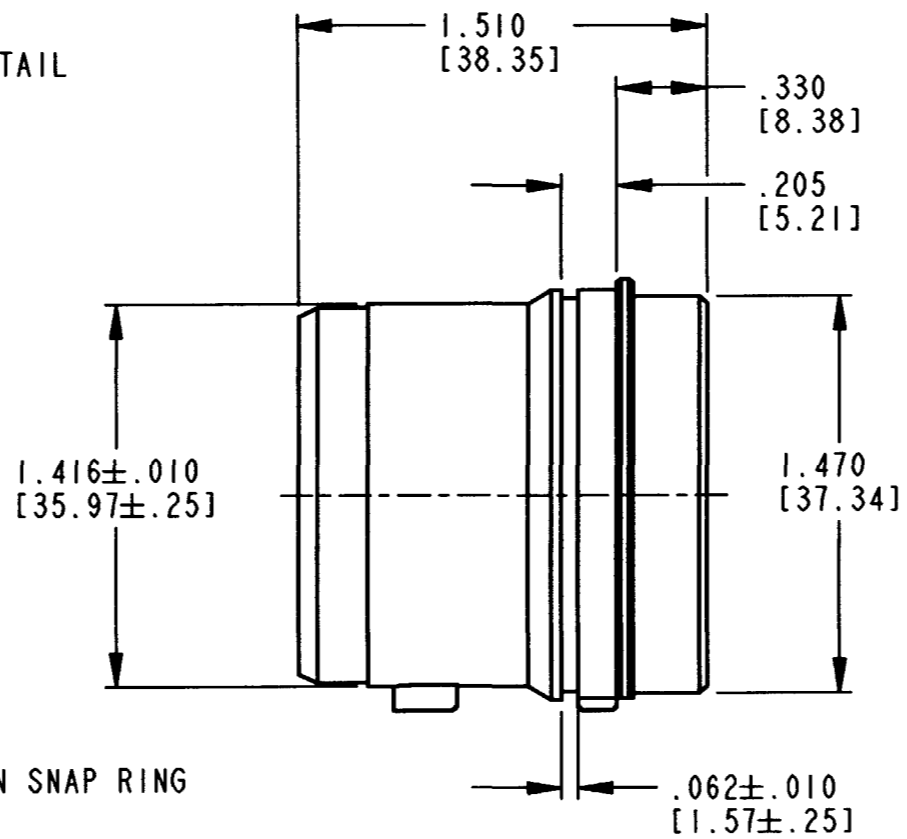
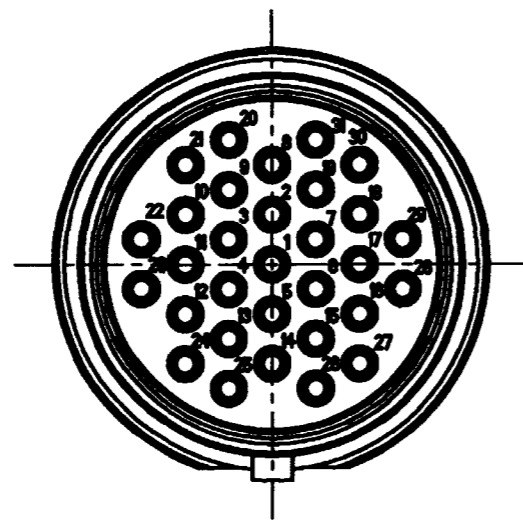


REV
A HD36-24-31S*B019

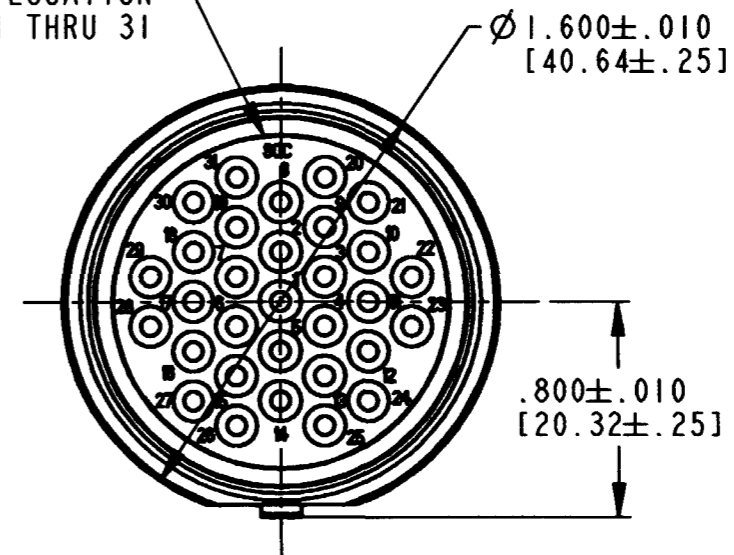
REVISIONS			
SYM	DESCRIPTION	DATE	APPROVED
NC	NEW RELEASE PER E.O. P18345	10/3/03	R.D.R.
A	REVISED PER E.O. P18393	11-24-03	RDR



SNAP RING
SMALLEY P/N VS-150
(NOT INCLUDED)



ARRANGEMENT OF
CONTACT LOCATION
SOCKETS 1 THRU 31



6. .050 REF [1.28] NOMINAL CONNECTOR FLOAT BETWEEN SNAP RING AND SIDE OF MOUNTING.
 5. THIS PART MATES WITH HD34-24-31P*-B019. (* INDICATES WIRE SEAL TYPE)
 4. FOR CONTACTS, WIRE PERFORMANCE AND APPLICATION CHARACTERISTICS SEE ENVELOPE DWG. 0425-015-0000.
 3. FOR PERFORMANCE AND APPLICATION CHARACTERISTICS SEE ENVELOPE DWG 0425-016-0000. MOUNTING APPLICATION NOT APPLICABLE TO HD34-24-31P*-B019. REFER TO SHEET -2- OF THIS DRAWING FOR CUSTOM MOUNTING APPLICATION.
 2. ALL DIMENSIONS ARE ±.025 [±0.64] EXCLUDING RUBBER UNLESS OTHERWISE SPECIFIED.
 1. ALL DIMENSIONS ARE INCHES [MILLIMETERS].
- NOTES:

SIGNATURE & DATE	
DR	A. ROLINSKI 10/01/03
CHK	[Signature] 11/18/03
PE	[Signature] 11/14/03
APPD	[Signature] 11/14/03
SCALE	NONE WT

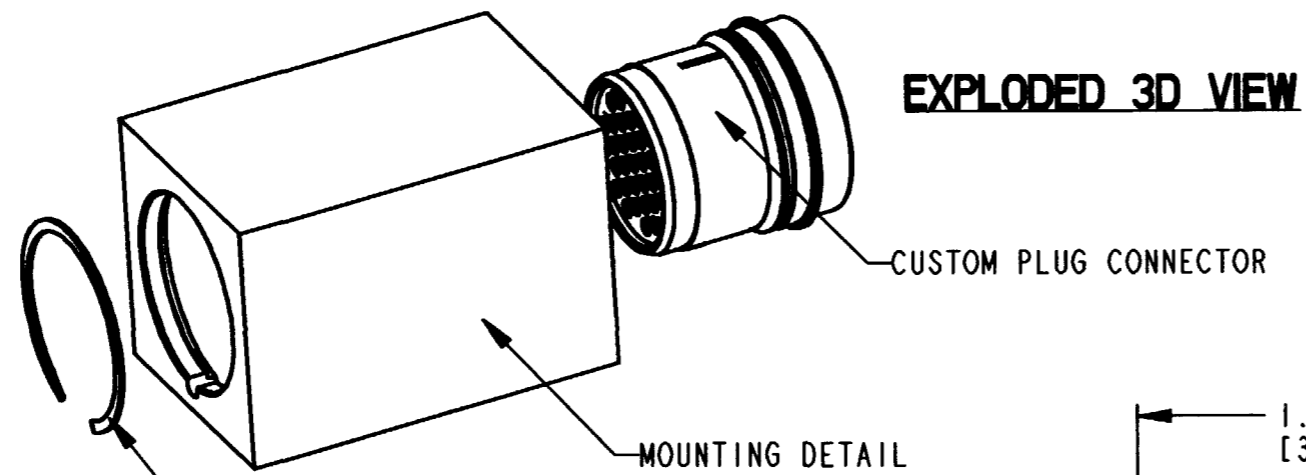
31 WAY CUSTOM MOUNT
PLUG CONNECTOR
SHELL SIZE 24
HD30 SERIES

ENVELOPE

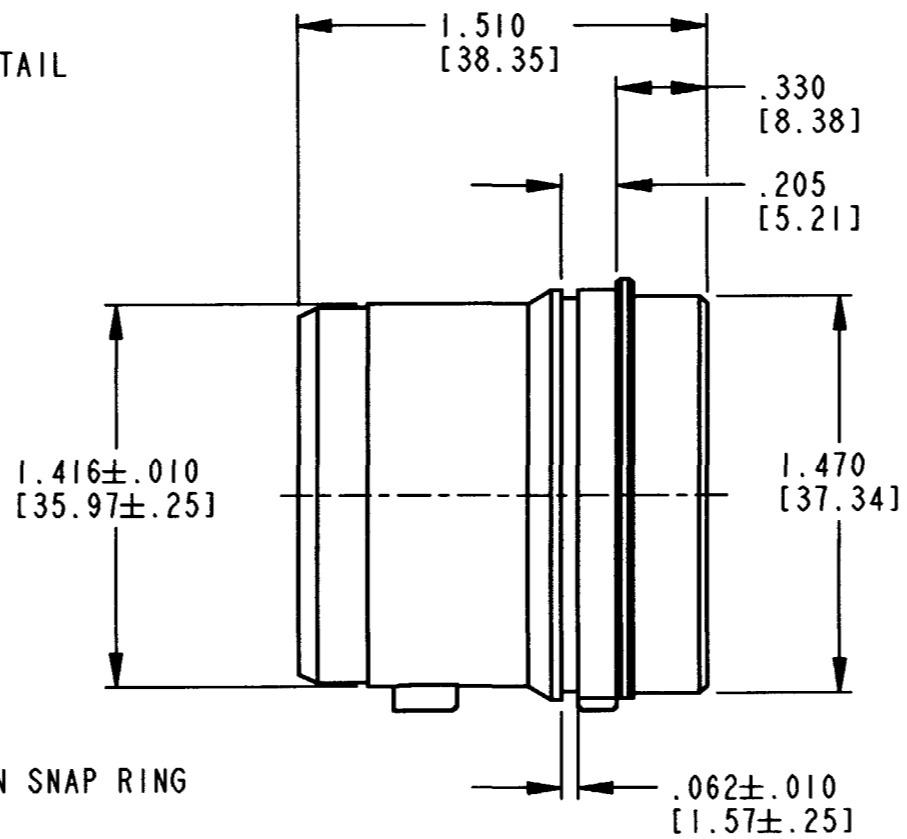
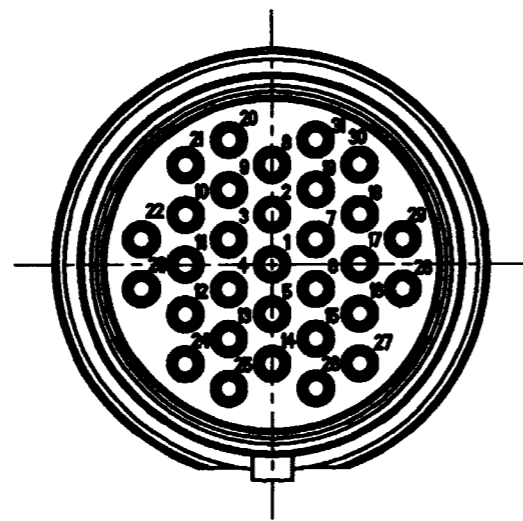
CP	MATL. CODE
The Deutsch Company	DEUTSCH I.P.D. 3850 INDUSTRIAL AVE. HEMET, CALIF. 92545
B HD36-24-31S*B019	
DWG SIZE	CODE 11139 SHEET 1 OF 2

REV
A HD36-24-31S*B019

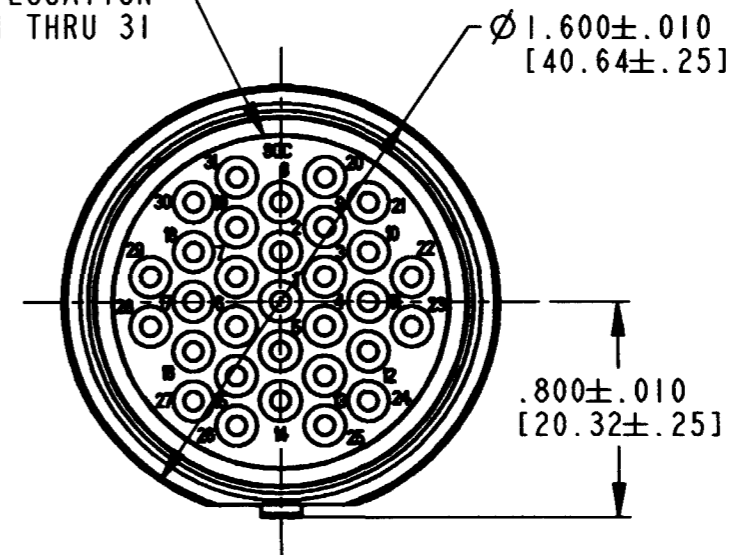
REVISIONS			
SYM	DESCRIPTION	DATE	APPROVED
NC	NEW RELEASE PER E.O. P18345	10/3/03	R.D.R.
A	REVISED PER E.O. P18393	11-24-03	RDR



SNAP RING
SMALLEY P/N VS-150
(NOT INCLUDED)



ARRANGEMENT OF
CONTACT LOCATION
SOCKETS 1 THRU 31



6. .050 REF [1.28] NOMINAL CONNECTOR FLOAT BETWEEN SNAP RING AND SIDE OF MOUNTING.
 5. THIS PART MATES WITH HD34-24-31P*-B019. (* INDICATES WIRE SEAL TYPE)
 4. FOR CONTACTS, WIRE PERFORMANCE AND APPLICATION CHARACTERISTICS SEE ENVELOPE DWG. 0425-015-0000.
 3. FOR PERFORMANCE AND APPLICATION CHARACTERISTICS SEE ENVELOPE DWG 0425-016-0000. MOUNTING APPLICATION NOT APPLICABLE TO HD34-24-31P*-B019. REFER TO SHEET -2- OF THIS DRAWING FOR CUSTOM MOUNTING APPLICATION.
 2. ALL DIMENSIONS ARE ±.025 [±0.64] EXCLUDING RUBBER UNLESS OTHERWISE SPECIFIED.
 1. ALL DIMENSIONS ARE INCHES [MILLIMETERS].
- NOTES:

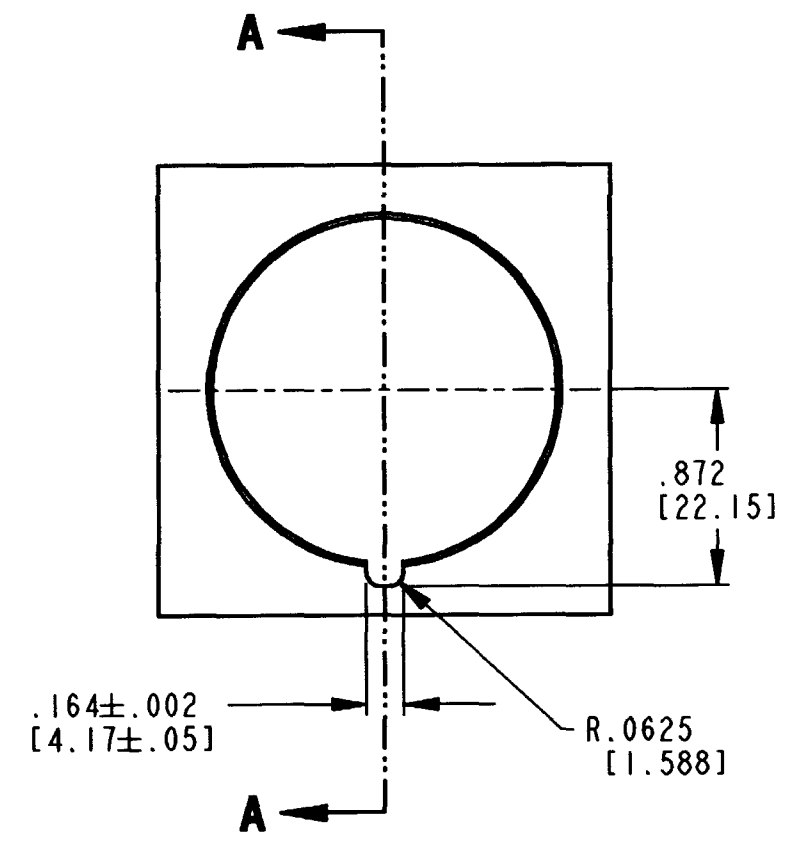
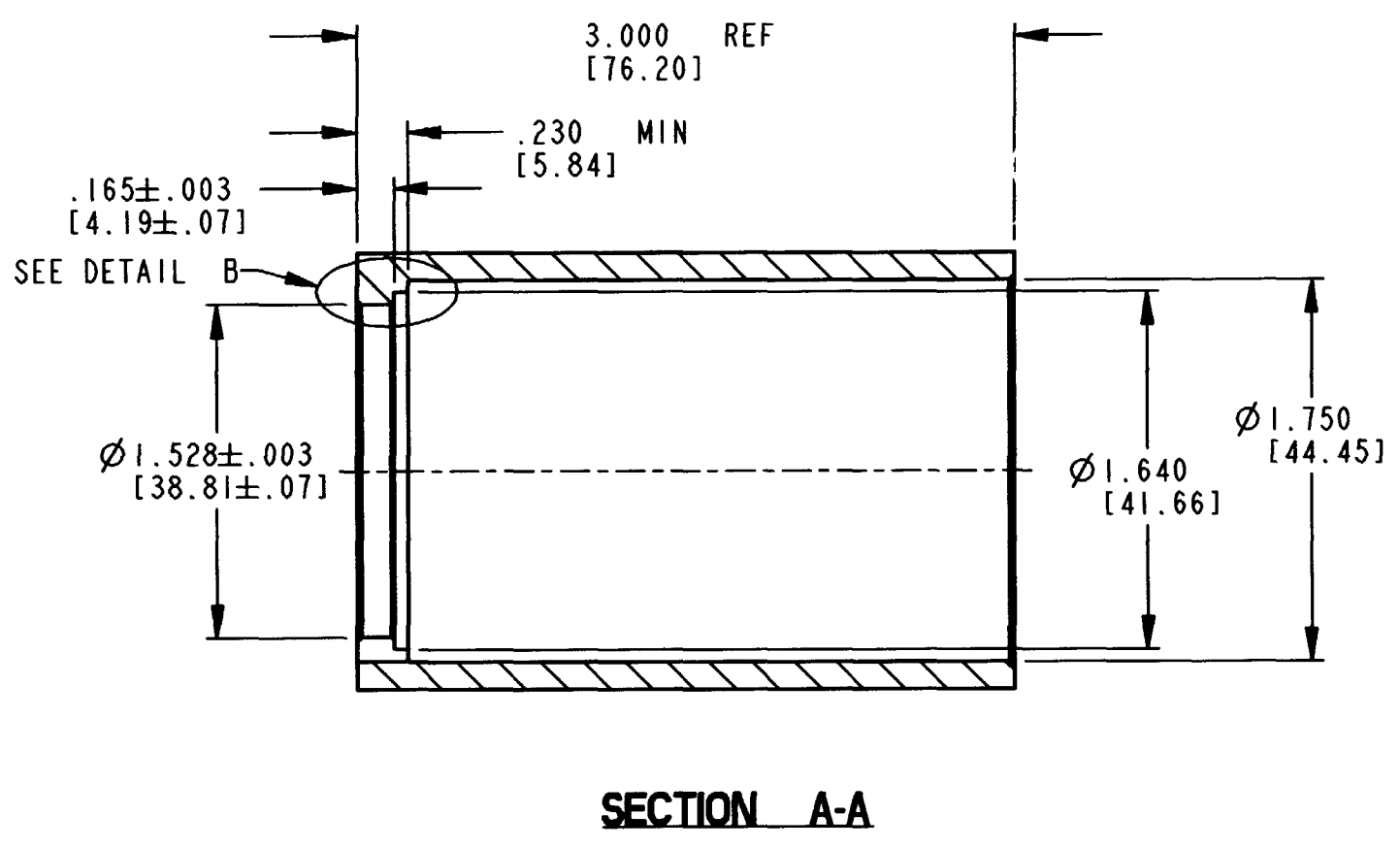
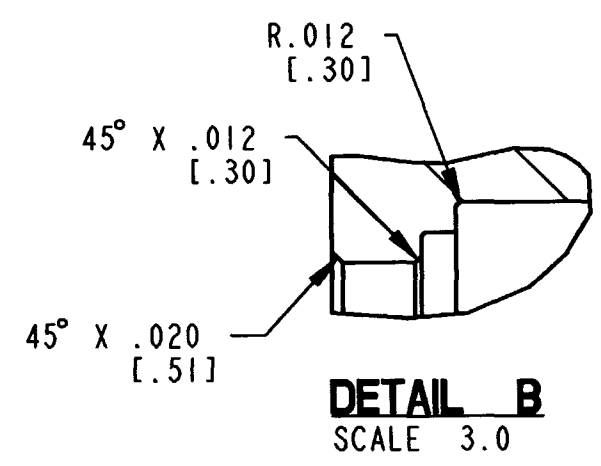
SIGNATURE & DATE	
DR	A. ROLINSKI 10/01/03
CHK	[Signature] 11/18/03
PE	[Signature] 11/14/03
APPD	[Signature] 11/14/03
SCALE	NONE WT

31 WAY CUSTOM MOUNT
PLUG CONNECTOR
SHELL SIZE 24
HD30 SERIES

ENVELOPE

CP	MATL. CODE
The Deutsch Company	
DEUTSCH I.P.D.	
3850 INDUSTRIAL AVE.	
HEMET, CALIF. 92545	
B HD36-24-31S*B019	
DWG SIZE	CODE 11139 SHEET 1 OF 2

REV	DESCRIPTION	REVISIONS			
A	HD36-24-31S *B019	SYM	DESCRIPTION	DATE	APPROVED
		A	SEE SHEET 1	11-24-03	RDR

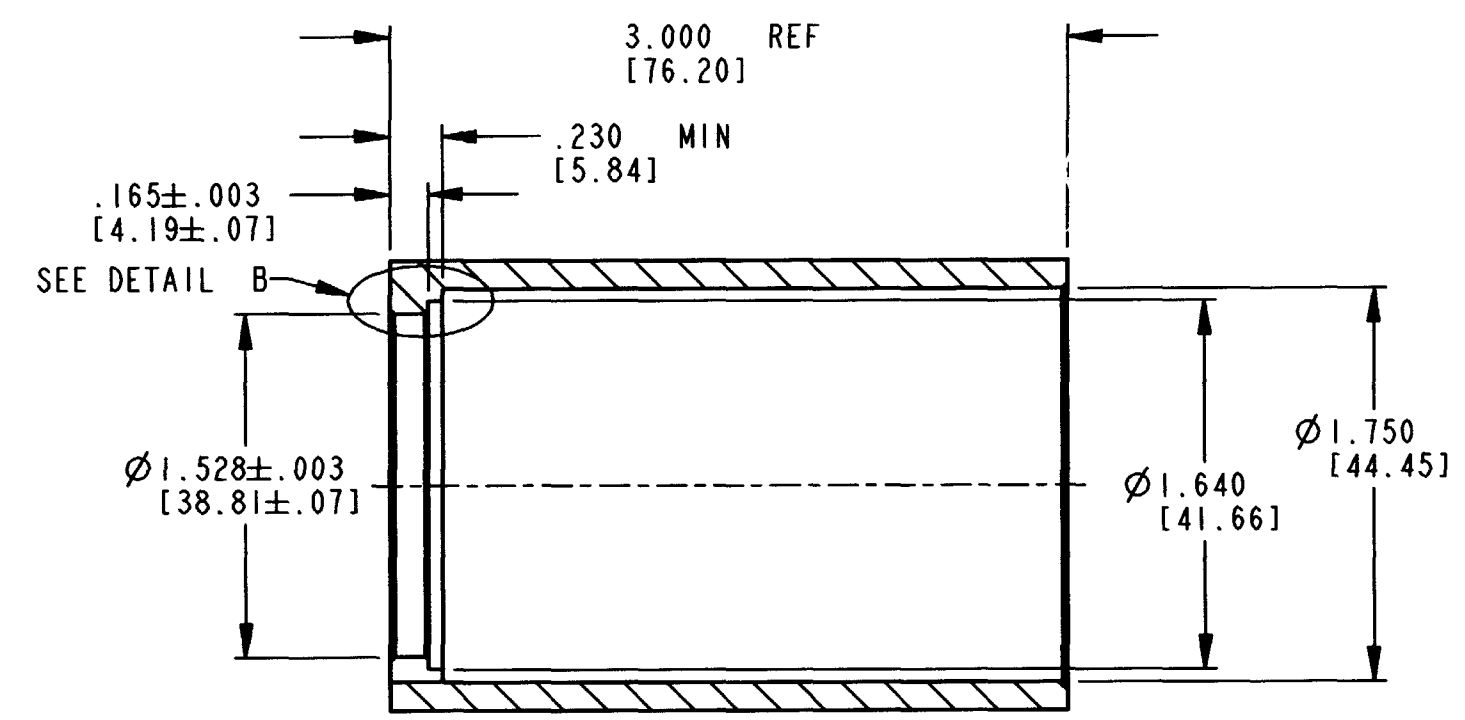
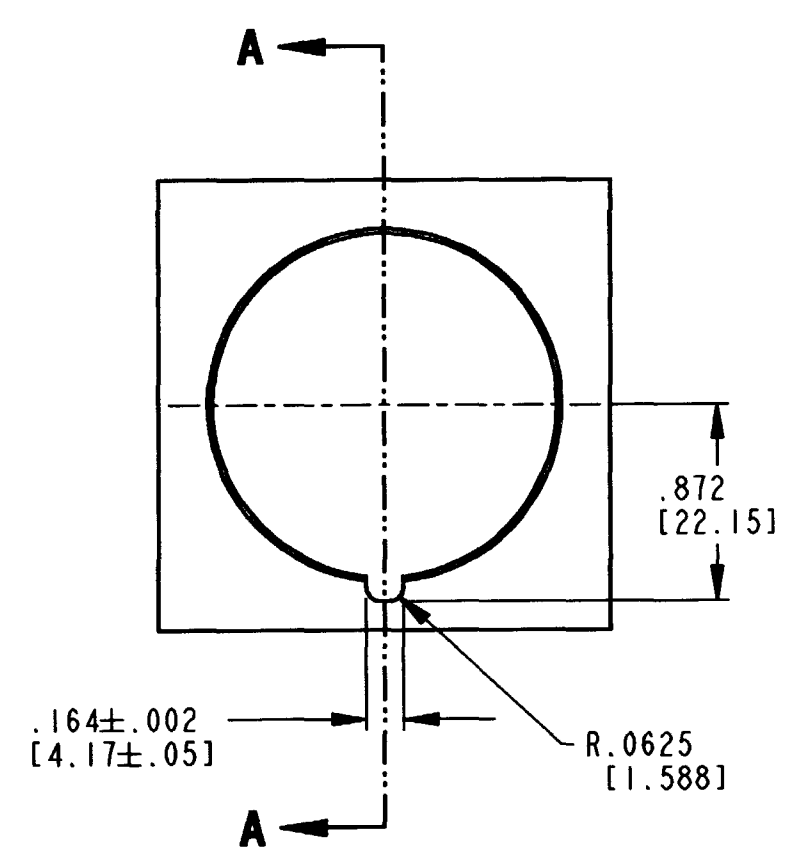
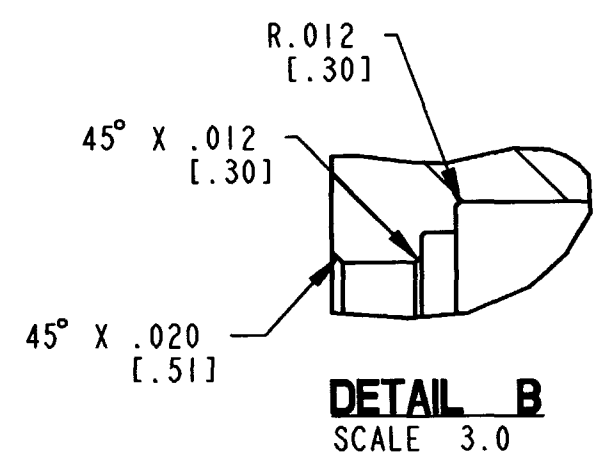


MOUNTING DETAIL FOR PLUG
ALL DIMENSIONS ARE ±.005
UNLESS OTHERWISE SPECIFIED

NOTES: SEE NOTES ON SHEET -1-

SIGNATURE & DATE		31 WAY CUSTOM MOUNT PLUG CONNECTOR SHELL SIZE 24 HD30 SERIES	CP	MATL. CODE
DR	A. ROLINSKI 10/01/03		The Deutsch Company DEUTSCH I. P. D. 3850 INDUSTRIAL AVE. HEMET, CALIF. 92545	
CHK	<i>[Signature]</i> 11/19/03		B HD36-24-31S *B019 DWG SIZE 11139 SHEET 2 OF 2	
PE	<i>[Signature]</i> 11/14/03			
APPD	<i>[Signature]</i> 11-14-03	ENVELOPE		
SCALE	NONE	WT		

REV	DESCRIPTION	REVISIONS		
A	HD36-24-31S *B019	SYM	DATE	APPROVED
		A	11-24-03	RDR



NOTES: SEE NOTES ON SHEET -1-

SIGNATURE & DATE		31 WAY CUSTOM MOUNT PLUG CONNECTOR SHELL SIZE 24 HD30 SERIES	CP	MATL. CODE
DR	A. ROLINSKI 10/01/03		The Deutsch Company DEUTSCH I. P. D. 3850 INDUSTRIAL AVE. HEMET, CALIF. 92545	
CHK	<i>[Signature]</i> 11/19/03		B HD36-24-31S *B019 DWG SIZE 11139 SHEET 2 OF 2	
PE	<i>[Signature]</i> 11/14/03			
APPD	<i>[Signature]</i> 11-14-03	ENVELOPE		
SCALE	NONE	WT		