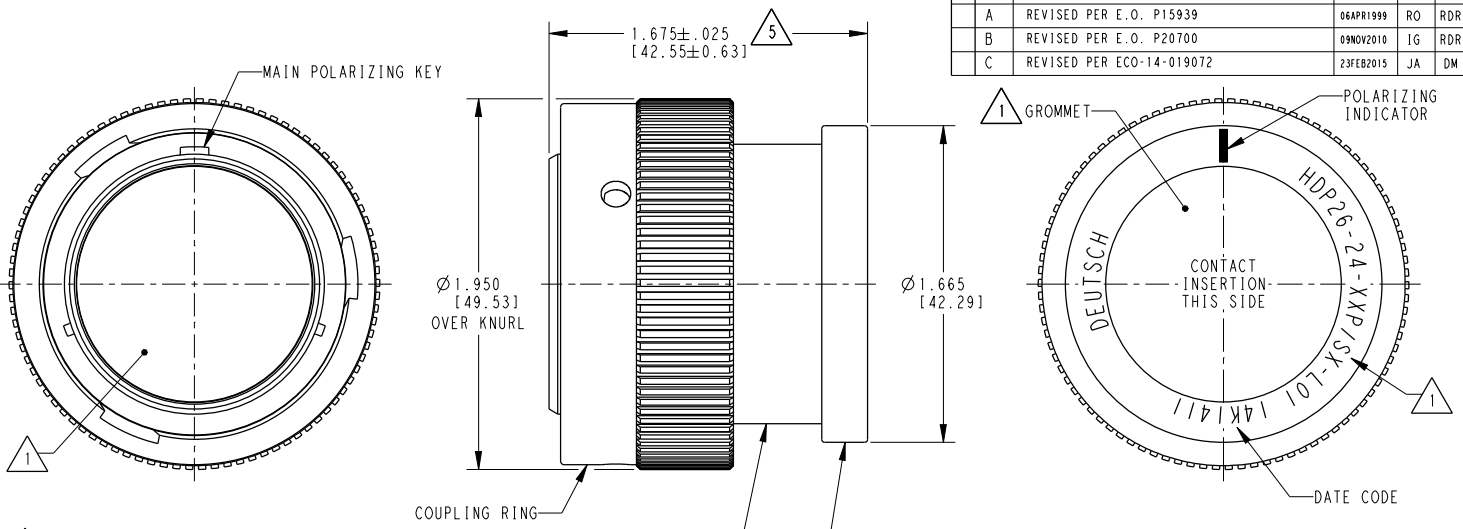


P	LTR	DESCRIPTION	DATE	OWN	APVD
NC		NEW RELEASE PER E.O. P15607	15MAY1998	JW	RDR
A		REVISED PER E.O. P15939	06APR1999	RO	RDR
B		REVISED PER E.O. P20700	09NOV2010	IG	RDR
C		REVISED PER ECO-14-019072	23FEB2015	JA	DM

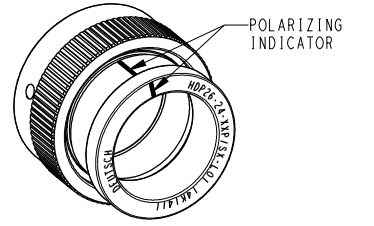


- 6 PART MODIFICATION: BACKSHELL ADAPTER ACCEPTS BACKSHELLS:
 2428-004-2405, 2428-008-2405
 2428-010-2405, 2428-011-2405
- 5 NOTED DIMENSION DOES NOT INCLUDE GROMMET PROTRUSION.
- 4 MATERIAL: PLUG HOUSING/COUPLING RING: PA66 GF10 (BLACK)
 BACKSHELL ADAPTER: PA66 GF10 (GREEN, GRAY, BLUE)
 GROMMET: SILICONE (ORANGE-RED)

- 3 SEE 0425-021-0000 APPLICATION SPECIFICATION
 A. RECOMMENDED WIRE INSULATION RANGE
 B. CONTACT REMOVAL TOOLS
- 2. THIS PLUG MATES WITH HDP24-24XXP/SX-XXXX RECEPTACLE
 X = SEAL TYPE (N,T,E)
 XX = INSERT ARRANGEMENT
 XXXX = MODIFICATION

1 SEE CUSTOMER DRAWING 0425-014-2400 FOR AVAILABLE INSERT ARRANGEMENTS AND PART NUMBERS.

NOTES:



SCALE 1:1

THIS DRAWING IS A CONTROLLED DOCUMENT.		DWN R. OCHOA 24MART1999		TE Connectivity	
DIMENSIONS: INCHES [mm]		CHK BRICE BYFORD 09NOV2010		NAME	
TOLERANCES UNLESS OTHERWISE SPECIFIED:		APVD STEVE BEARD 09NOV2010		PLUG, COUPLING RING	
0 PLC ±		PRODUCT SPEC 0425-021-0000		SIZE 24, -L017 MOD	
1 PLC ±		APPLICATION SPEC 3		HDP SERIES	
2 PLC ±		WEIGHT		SIZE CAGE CODE DRAWING NO	
3 PLC ±		MATERIAL 4		A3 4AFU8 C=HDP26-24-XXP/SX-L017	
4 PLC ±		FINISH N/A		RESTRICTED TO	
ANGLES ±0° 30' 0"		Customer Drawing		SCALE 2:1 SHEET 1 OF 1 REV C	