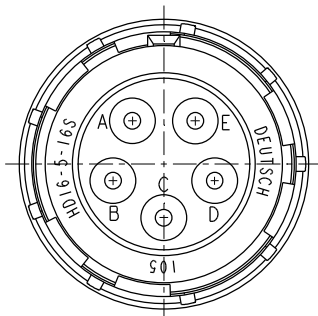
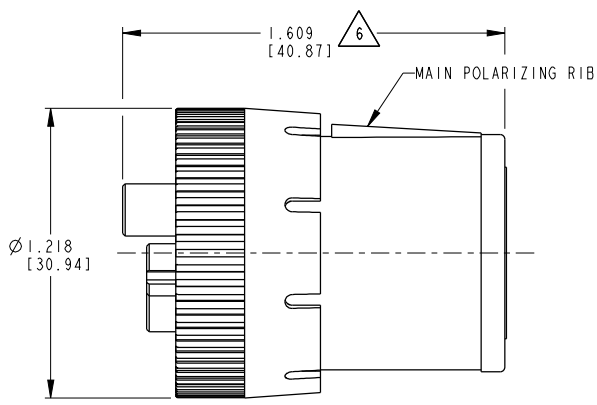
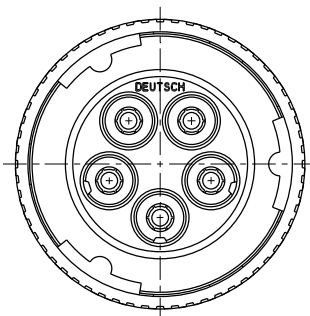
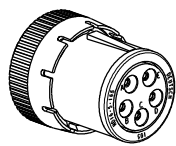


P	LTR	DESCRIPTION	DATE	OWN	APVD
E		REVISED AND REDRAWN PER E.O. A5916	4-10-87	JN	JA
F		REVISED PER E.O. P21133	9-29-11	IG	RDR
G		REVISED PER E.O. P21366	6-4-12	IG	RDR
G2		REVISED PER ECO-13-010849	6-13-13	JA	IG



4. FOR "PERFORMANCE AND APPLICATION CHARACTERISTICS OF SOLID/STAMPED AND FORMED CONTACTS AND WIRES," SEE ENVELOPE DRAWING 0425-015-0000. THIS PLUG USES SOCKET CONTACTS ONLY.

3. DELETED.

2. THIS CONNECTOR SERIES WILL ACCOMMODATE THE FOLLOWING WIRE INSULATION DIAMETERS:

CONTACT SIZE	MINIMUM O.D.	MAXIMUM O.D.
16	.100 [2.54]	.150 [3.81]

1. CONSULT FACTORY FOR ELECTRICAL AND MATERIAL SPECIFICATIONS.

8. DELETED.

7. MATERIAL: SHELL: PLASTIC; SEAL: RUBBER

△ OVERALL DIMENSION DOES NOT INCLUDE RUBBER GROMMET.

5. THIS PLUG MATES WITH HD10-5-16P\*-\*\*\*\* AND HD14-5-16P\*-\*\*\*\* RECEPTACLES (\* = SEAL TYPE, \*\*\*\* = ALL MODIFICATIONS).

THIS DRAWING IS A CONTROLLED DOCUMENT.		DWN 12 JUN 2013 JAIMÉ C. APOSTOL			
DIMENSIONS: INCHES [mm]		CHK 6-13-13 ILINA GRANTCHAROVA			
TOLERANCES UNLESS OTHERWISE SPECIFIED:		APVD 6-13-13 ILINA GRANTCHAROVA		NAME	
0 PLC ±		PRODUCT SPEC		PLUG CONNECTOR ARR. 5-16	
1 PLC ±		APPLICATION SPEC		COLOR: GRAY, HD10 SERIES	
2 PLC ±		WEIGHT 20.35g		PLUG CONNECTOR ARR 5-16	
3 PLC ± .025 [.64]		SIZE A3		CAGE CODE 4AFU8	
4 PLC ±		DRAWING NO C=HD16-5-16S		RESTRICTED TO -	
ANGLES ±0° 30' 0"		CUSTOMER DRAWING		SCALE 2.5	
MATERIAL		FINISH		SHEET 1 OF 1	
				REV G2	