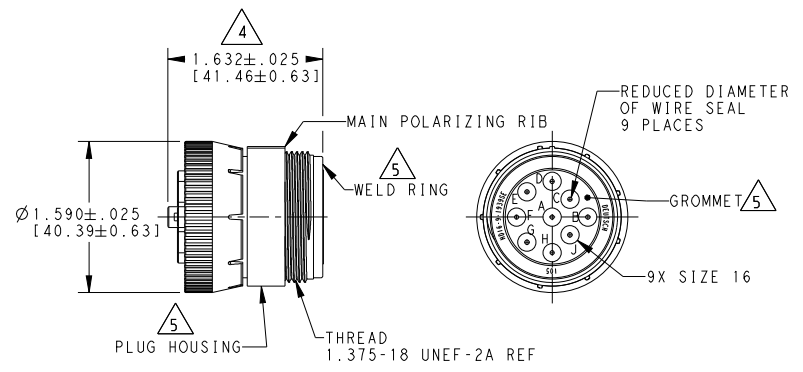
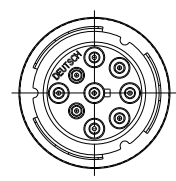
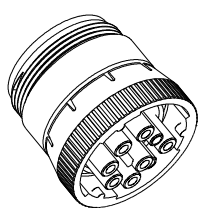


P	LTR	DESCRIPTION	DATE	OWN	APVD
B		REVISED PER E.O. P16453	17DEC1999	-	RDR
C		REVISED PER E.O. P17740	26APR2002	-	RDR
D		REVISED PER E.O. P21133	29SEP2011	-	RDR
D1		REVISED PER ECO-14-002953	29JAN2014	PV	DM



5 MATERIAL:  
 PLUG HOUSING AND WELD RING: PA 15%GF (BLACK)  
 GROMMET: SILICONE (RED)

4 OVERALL DIMENSION DOES NOT INCLUDE RUBBER GROMMET.

3. THIS PLUG MATES WITH FOLLOWING RECEPTACLES (X = SEAL TYPE, XXXX = ALL MODIFICATIONS).  
 HD10-9-1939PX-XXXX  
 HD14-9-1939PX-XXXX

2 SEE DRAWING 0425-015-0000 FOR CONTACT AND WIRE PERFORMANCE AND APPLICATION CHARACTERISTICS.

1. SEE TABLE FOR USABLE WIRE RANGE AND INSULATION RANGE

CONTACT SIZE	MINIMUM O.D.	MAXIMUM O.D.	WIRE RANGE
16	.053 [1.35]	.120 [3.05]	14-20 AWG [2.0-.50]

NOTES:

THIS DRAWING IS A CONTROLLED DOCUMENT.		DWN 1 NORRIS 11SEP1996		TE Connectivity PLUG CONNECTOR HD10 SERIES ARR. 9-1939 E SEAL COLOR: BLACK	
DIMENSIONS: INCHES (mm)		CHK 1 GRANICHAROVA 18SEP2013			
TOLERANCES UNLESS OTHERWISE SPECIFIED:		APVD D MEYER 19SEP2013		NAME	
0 PLC ± 1 PLC ± 2 PLC ± 3 PLC ±.025 4 PLC ± ANGLES ±0° 30' 0"		PRODUCT SPEC		SIZE CAGE CODE DRAWING NO	
MATERIAL 5		FINISH -		RESTRICTED TO	
		WEIGHT 37.50 (g)		A300779 C=HD16-9-1939SE	
		Customer Drawing		SCALE 1:1 SHEET 1 OF 1 REV D1	