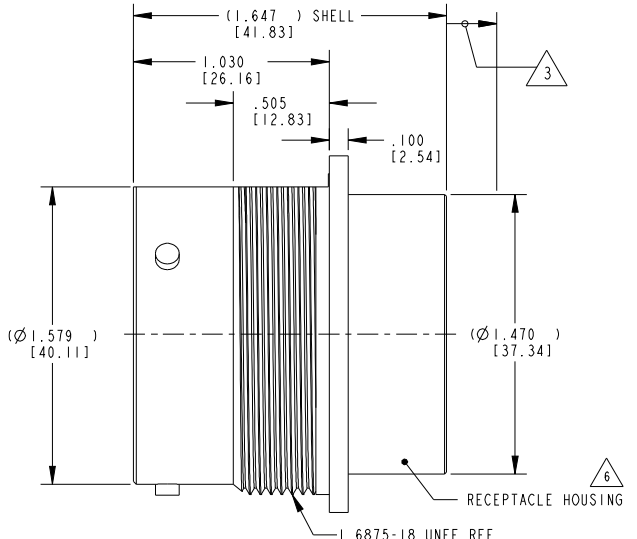
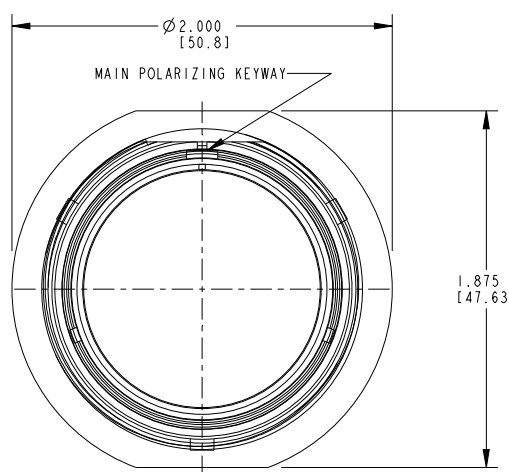


LOC	DIST	REVISIONS			
P	LTR	DESCRIPTION	DATE	DWN	APVD
NC		NEW RELEASE PER E.O. P14915	04DEC1995	-	RDR
A		REVISED PER E.O. P15908	05FEB1999	-	RDR
B		REVISED PER E.O. P18134	23MAY2003	-	RDR
BI		REVISED AS PER ECO-15-001798	02SEP2014	VNB	DM



- 6. MATERIAL:
RECEPTACLE HOUSING: AL 6000 SERIES
 - 5. THIS PART MATES WITH HD36-24-XXP/SX-XXXX
 - 4. PART NUMBER INFO: XX= ARRANGEMENT: X= SEAL TYPE
 - 3. TOTAL DIM. WITH EXTENDED WIRE SEAL (WITH CONTACTS #4 OR #8 ONLY) = 1.870±.050 [47.50±1.27].
 - 2. FOR ARRANGEMENT OF CONTACT LOCATION SEE ENVELOPE DRAWING 0425-014-2400.
 - 1. CONSULT THE FACTORY FOR ELECTRICAL AND MATERIAL SPECIFICATIONS.
- NOTES:

THIS DRAWING IS A CONTROLLED DOCUMENT.		DWN VIJETH BHARADWAJ 31OCT2014	TE Connectivity	
DIMENSIONS: INCHES [mm]		CHK L. GRANTCHAROVA 31OCT2014		
TOLERANCES UNLESS OTHERWISE SPECIFIED:		APVD D. MEYER 31OCT2014	NAME RECEPTACLE CONNECTOR SHELL SIZE 24 BAYONET COUPLING HD30 SERIES	
0 PLC ±-	1 PLC ±-	PRODUCT SPEC 0425-016-0000	SIZE A3	CAGE CODE -
2 PLC ±-	3 PLC ±.010 (±.254)	APPLICATION SPEC 0425-015-0000	DRAWING NO C=HD34-24-XXP/SX	RESTRICTED TO -
4 PLC ±-	ANGLES ±0° 30' 0"	WEIGHT -	SCALE NONE	SHEET 1 OF 1
MATERIAL SEE NOTE	FINISH -	Customer Drawing	REV BI	