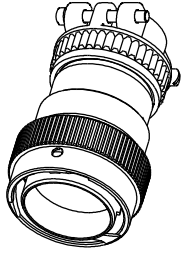
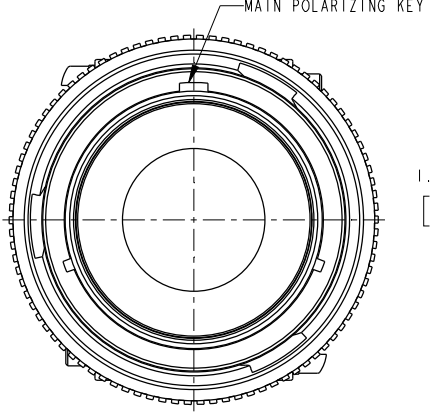


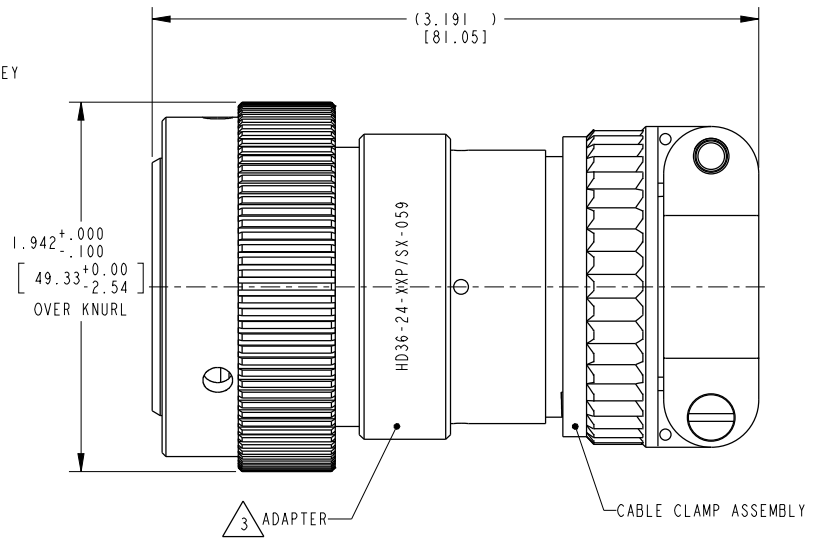
P	LTR	DESCRIPTION	DATE	OWN	APVD
A		REVISED PER E.O. P18556	03MAY2004	-	RDR
B		REVISED PER E.O. P19124	28DEC2005	-	RDR
C		REVISED PER E.O. P21009	19JUL2011	-	RDR
CI		REVISED PER ECO-15-001798	19MAR2015	PV	RDR



3D VIEW



MAIN POLARIZING KEY



3. MATERIAL:
 ADAPTER: AL 6000 SERIES

2. THE CONNECTOR MATES WITH HD34-24-XXS/PX-XXXX
 X = SEAL DESIGNATION, XX = NUMBER OF CAVITIES,
 XXXX = MODIFICATION DESIGNATION.

1. SEE DRAWING 0425-014-2400 FOR ARRANGEMENT OF CONTACT LOCATION

NOTES:

THIS DRAWING IS A CONTROLLED DOCUMENT.		DWN: X SANCHEZ 17APR2003	TE Connectivity PLUG CONNECTOR, SHELL SIZE 24 BAYONET COUPLING, MOD -059 HD30 SERIES	RESTRICTED TO
DIMENSIONS: INCHES [mm]		CHK: APOSTOL 3MAY2003		
TOLERANCES UNLESS OTHERWISE SPECIFIED:		APVD: R REED 16MAY2003		
0 PLC ±. 1 PLC ±. 2 PLC ±. 3 PLC ±.01 [±0.254] 4 PLC ±. ANGLES ±0° 30' 0"		NAME: HD36-24-XXP/SX-059 PRODUCT SPEC: 0425-016-0000 APPLICATION SPEC: 0425-015-0000 SIZE: A3 CAGE CODE: - DRAWING NO: HD36-24-XXP/SX-059 WEIGHT: - SCALE: 2:1 SHEET: 1 OF 1 REV: CI Customer Drawing		
MATERIAL: SEE NOTE	FINISH: -			