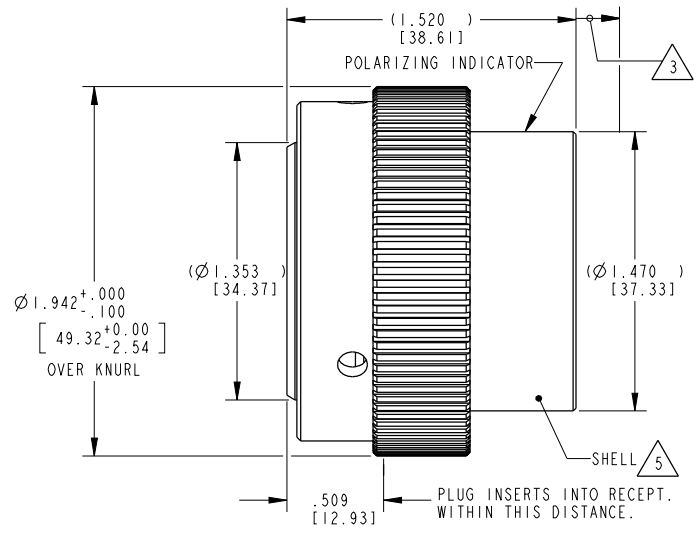
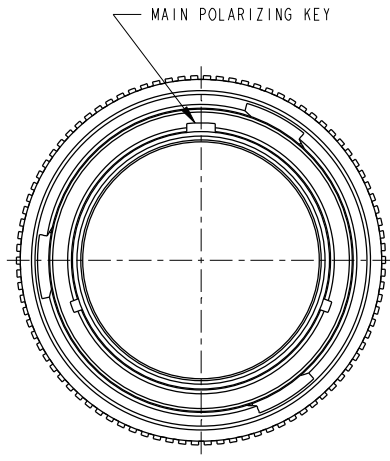


P	LTR	DESCRIPTION	DATE	DWN	APVD
NC		NEW RELEASE PER E.O. A14915	04DEC1995	-	RDR
A		REVISED PER E.O. P18134	23MAY2003	-	RDR
B		REVISED PER E.O. P18565	26SEP2004	-	RDR
BI		REVISED PER ECO-15-001798	12AUG2014	PV	DM



5 MATERIAL:
 PLUG HOUSING: AL 6000 SERIES
 SHELL MATERIAL: METAL
 INSULATOR : PLASTIC

4. THIS SHELL MATES WITH HD34-24-XXP/SX-XXXX

3 TOTAL DIM. WITH EXTENDED WIRE SEAL (WITH CONTACTS #4 OR #8 ONLY) = 1.750±.050 [44.45±1.27].

2. SEE DRAWING 0425-014-2400 FOR ARRANGEMENT OF CONTACT LOCATION.

1. CONSULT THE FACTORY FOR ELECTRICAL AND MATERIAL SPECIFICATIONS.

NOTES:

THIS DRAWING IS A CONTROLLED DOCUMENT.		DWN 30OCT2014 VIJETH BHARADWAJ	TE Connectivity PLUG CONNECTOR, SHELL SIZE 24 BAYONET COUPLING HD30 SERIES
DIMENSIONS: INCHES [mm]		CHK 31OCT2014 L. GRANTCHAROVA	
TOLERANCES UNLESS OTHERWISE SPECIFIED:		APVD D MEYER 31OCT2014	NAME
0 PLC ±	1 PLC ±	PRODUCT SPEC	0425-015-0000
2 PLC ±	3 PLC ±.01 [±.254]	APPLICATION SPEC	0425-016-0000
4 PLC ±	ANGLES ±0° 30' 0"	SIZE	A3
MATERIAL SEE NOTE	FINISH -	WEIGHT -	CAGE CODE -
		DRAWING NO	HD36-24-XXP/SX
		RESTRICTED TO	-
		SCALE	2:1
		SHEET	1 OF 1
		REV	BI

Customer Drawing