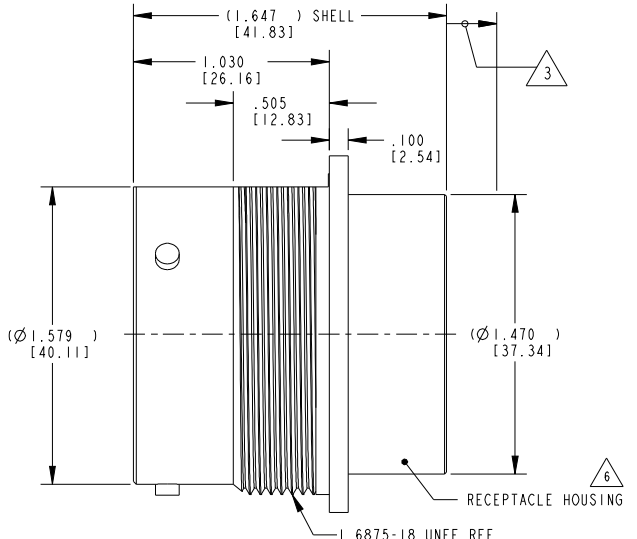
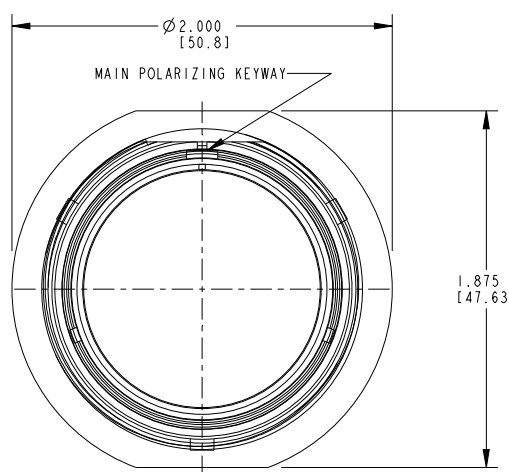


LOC	DIST	REVISIONS					
		P	LTR	DESCRIPTION	DATE	DWN	APVD
		NC		NEW RELEASE PER E.O. P14915	04DEC1995	-	RDR
		A		REVISED PER E.O. P15908	05FEB1999	-	RDR
		B		REVISED PER E.O. P18134	23MAY2003	-	RDR
		BI		REVISED AS PER ECO-15-001798	02SEP2014	VNB	DM



- 6. MATERIAL:  
RECEPTACLE HOUSING: AL 6000 SERIES
  - 5. THIS PART MATES WITH HD36-24-XXP/SX-XXXX
  - 4. PART NUMBER INFO: XX= ARRANGEMENT: X= SEAL TYPE
  - 3. TOTAL DIM. WITH EXTENDED WIRE SEAL (WITH CONTACTS #4 OR #8 ONLY) = 1.870±.050 [47.50±1.27].
  - 2. FOR ARRANGEMENT OF CONTACT LOCATION SEE ENVELOPE DRAWING 0425-014-2400.
  - 1. CONSULT THE FACTORY FOR ELECTRICAL AND MATERIAL SPECIFICATIONS.
- NOTES:

THIS DRAWING IS A CONTROLLED DOCUMENT.		DWN VIJETH BHARADWAJ 31OCT2014	TE Connectivity <b>RECEPTACLE CONNECTOR</b> <b>SHELL SIZE 24 BAYONET COUPLING</b> <b>HD30 SERIES</b>	
DIMENSIONS: INCHES [mm]		CHK L. GRANTCHAROVA 31OCT2014		
TOLERANCES UNLESS OTHERWISE SPECIFIED:		APVD D. MEYER 31OCT2014	NAME	
0 PLC ±-		PRODUCT SPEC	0425-016-0000	
1 PLC ±-		APPLICATION SPEC	0425-015-0000	
2 PLC ±.010 (±.254)		SIZE	A3	
3 PLC ±-		CAGE CODE	-	
4 PLC ±-		DRAWING NO	C=HD34-24-XXP/SX	
ANGLES ±0° 30' 0"		WEIGHT	-	
MATERIAL SEE NOTE		FINISH	-	
		Customer Drawing	SCALE	NONE
			SHEET	1 OF 1
			REV	BI