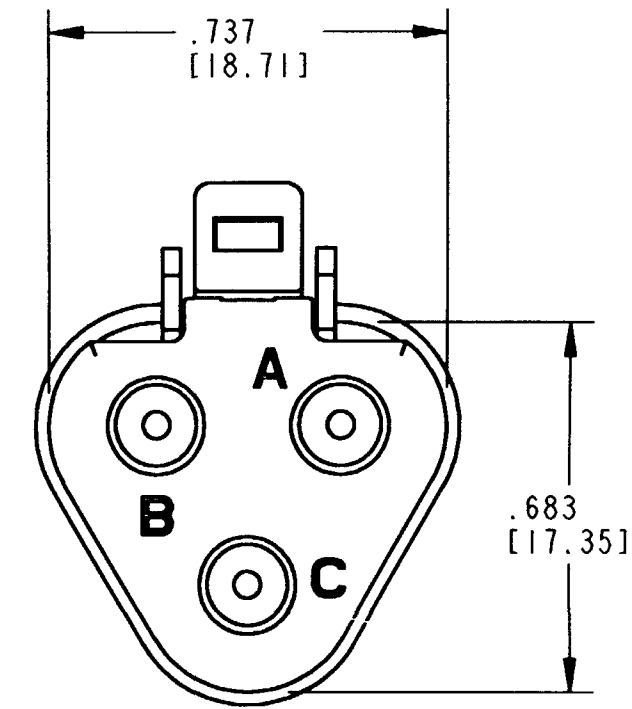
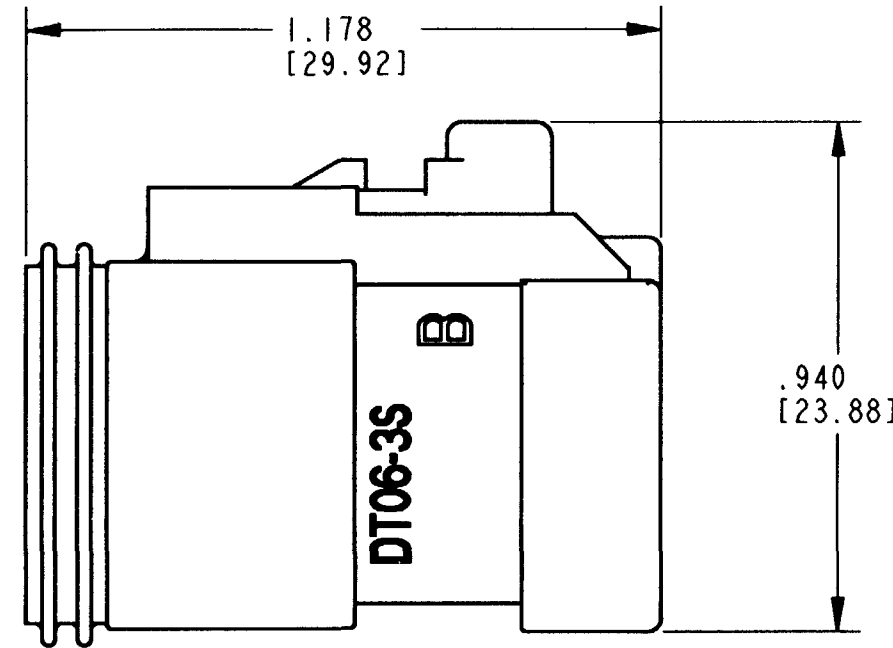
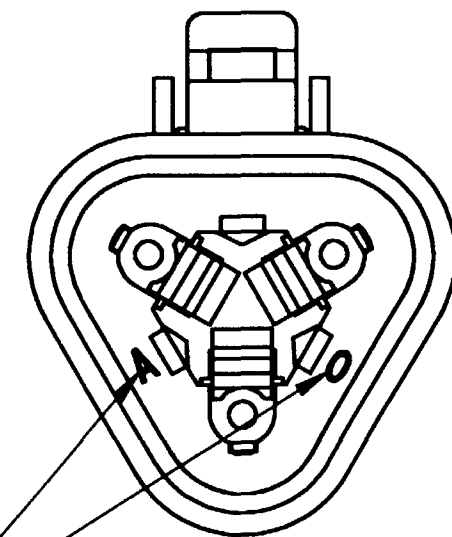


REV B DT06-3S-E003

REVISIONS			
SYM	DESCRIPTION	DATE	APPROVED
NC	NEW RELEASE PER E.O. A09342	9/6/90	J.A.
A	REVISED PER E.O. P17381	8-20-01	RDR
B	REVISED PER E.O. P20338	11-5-09	RDR



DATE CODE: YEAR TO BE REPRESENTED BY LAST NUMERICAL DIGIT. EX: 0 = 2000. MONTH USES SEQUENTIAL ALPHA CHARACTERS. EX: A = JANUARY.

CONTACT SIZE	MIN. INSUL. O.D.	MAX. INSUL. O.D.	WIRE RANGE [mm ²] REF ONLY ³
16	.088 [2.24]	.145 [3.68]	14-20 AWG 2.0-0.5

- 6. MATERIAL - SHELL: PLASTIC
SEALS: RUBBER
- 5. THIS PLUG MATES WITH DT04-3P-**** RECEPTACLE. (**** = ALL MODIFICATIONS).
- 4. THIS CONNECTOR CAN PASS THROUGH A ONE INCH HOLE.
- 3. FOR WIRE AND CONTACT SPECIFICATION AND APPLICATIONS, SEE ENVELOPE DRAWINGS 0425-015-0000 AND 0425-017-0000.
- 2. ALL DIMENSIONS ARE ±0.025 [.64] UNLESS OTHERWISE SPECIFIED.

NOTES: 1. ALL DIMENSIONS ARE IN INCHES [MILLIMETERS].

SIGNATURE & DATE		3 WAY PLUG E003 MOD. DT SERIES	EP	MATL. CODE
DR	T. YOHANNES 26 JUL 01		3850 INDUSTRIAL AVE. HEMET, CA 92545	
CHK	<i>[Signature]</i> 11/5/09		DEUTSCH INDUSTRIAL	
PE	<i>[Signature]</i> 10/21/09		B DT06-3S-E003	
APPD	<i>[Signature]</i> 11-4-09	ENVELOPE	DWG SIZE	CODE 11139 SHEET 1 OF 1
SCALE	NONE WT			