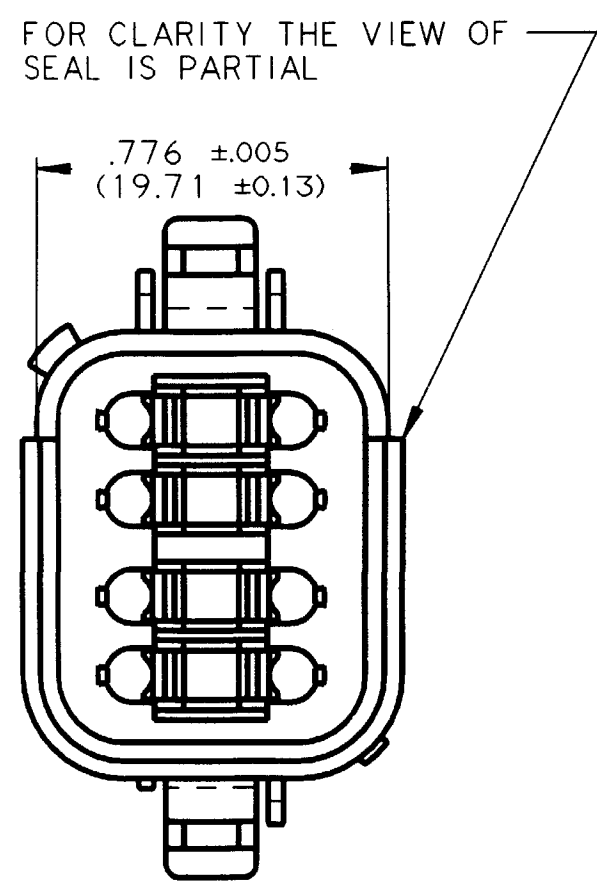
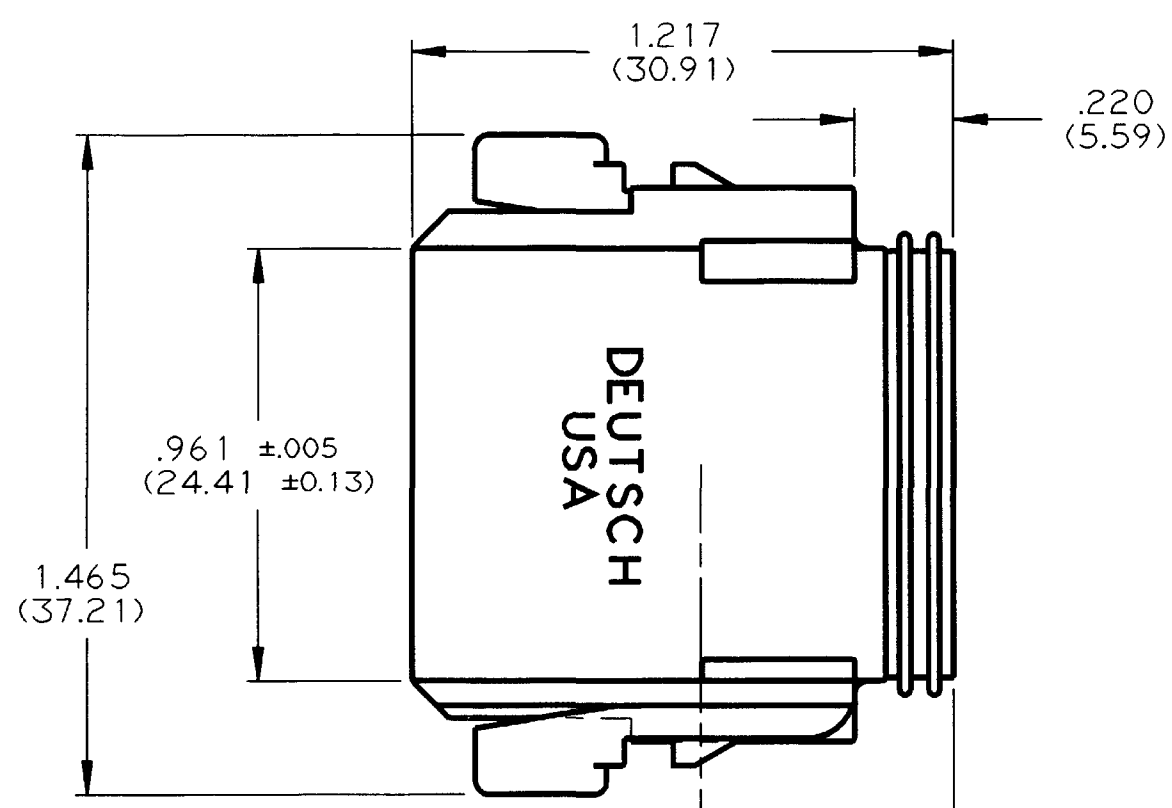
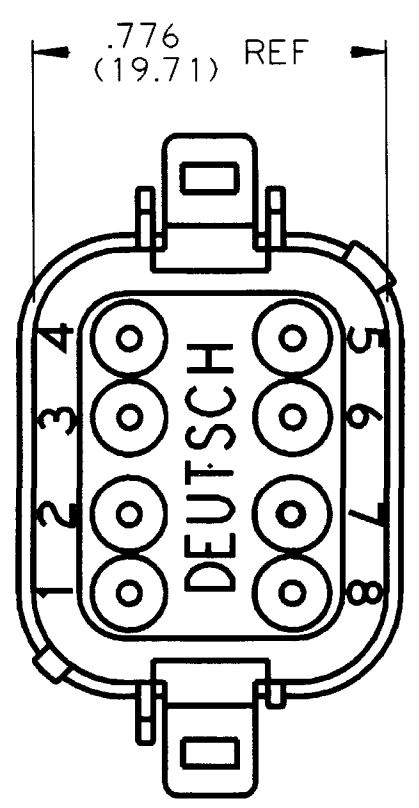


REV
E DT06-08SD

REVISIONS			
SYM	DESCRIPTION	DATE	APPROVED
C	REVISED AND REDRAWN PER E.O. A09284	12/2/89	J.A.
D	REVISED PER E.O. A09335	9/6/90	J.A.
E	REVISED PER E.O. P15019	4-4-96	PDR



PLUG INSERTS INTO RECEPT. WITHIN THIS DISTANCE.

- NOTES:
1. ALL DIMENSIONS ARE IN INCHES (METRIC).
 2. ALL DIMENSIONS ARE ±.025 (0.63) UNLESS OTHERWISE SPECIFIED.
 3. CONSULT FACTORY FOR CONTACT SPECIFICATION AND APPLICATION.
 4. FOR MORE INFO SEE ENVELOPE DWG. 0425-017-0000 AND 0425-015-0000.

SIGNATURE & DATE	
DR	C. WOODRUFF 05 JUL 90
CHK	
PE	<i>W. J. Tomasi</i> Feb 4 '96
APPD	<i>R. R. [Signature]</i> 4-4-96
SCALE	NONE WT

8 WAY PLUG
KEY ARG. -D-
COLOR: BROWN
D.T. SERIES

ENVELOPE

CP	MATL CODE
The Deutsch Company DEUTSCH IPD 37140 INDUSTRIAL AVE. HEMET, CALIF. 92343	
DT06-08SD	
DWG SIZE	CODE 11139 SHEET 1 OF 1