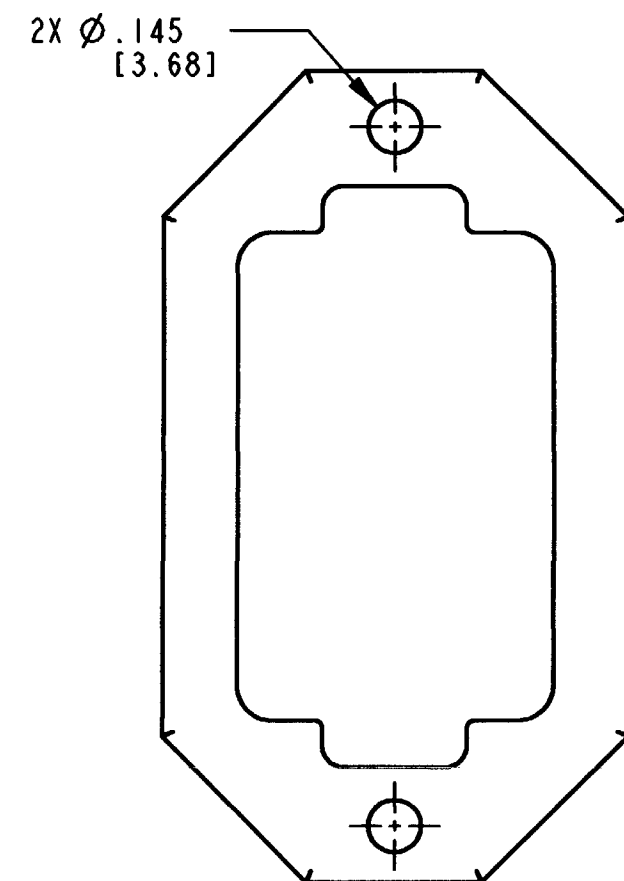
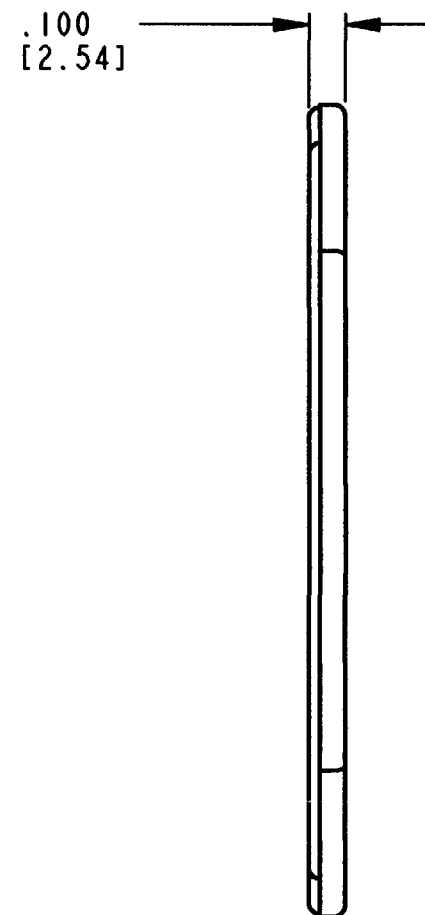
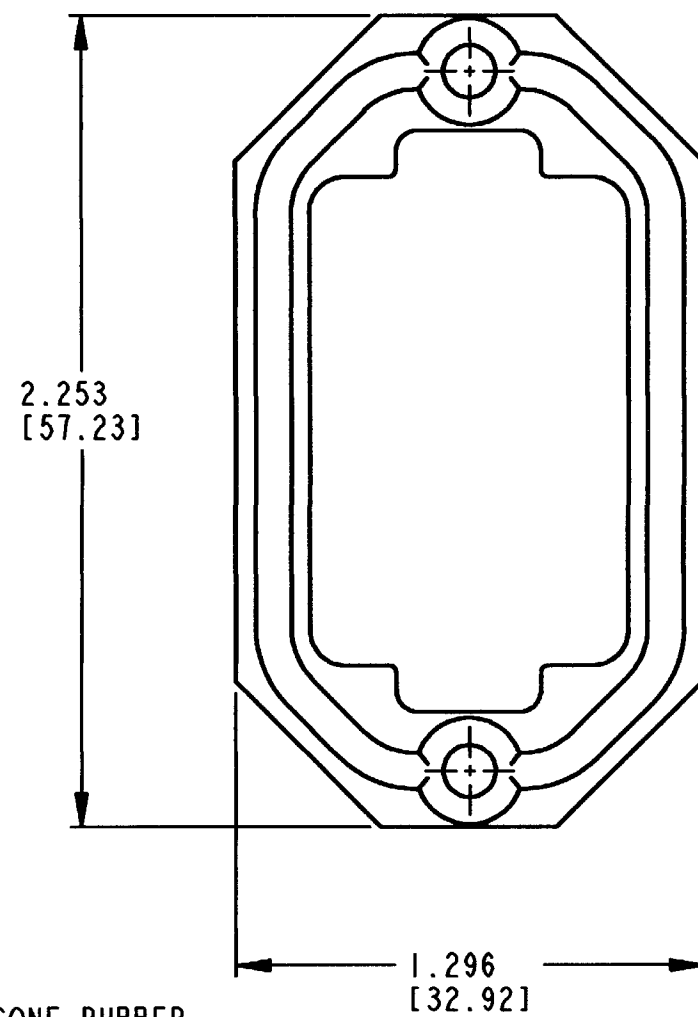


3D VIEW



REV
NC 1013-006-1206

REVISIONS			
SYM	DESCRIPTION	DATE	APPROVED
NC	NEW RELEASE PER E.O. P19967	8-14-08	RDR

4. MATERIAL: SILICONE RUBBER.
3. PART DESIGNED TO FIT DT13-12P*-**** RECEPTACLE.
(* = A,B,C,D KEYS; **** = ALL MODIFICATIONS).
CONSULT FACTORY FOR MODIFICATIONS.
2. DIMENSIONS ARE ±.025 [.64].
1. DIMENSIONS ARE IN INCHES [mm].

NOTES: UNLESS OTHERWISE SPECIFIED

SIGNATURE & DATE	
DR	A. MALAGON 29 JUL 08
CHK	<i>[Signature]</i> 8/14/08
PE	<i>[Signature]</i> 7-29-08
APPD	<i>[Signature]</i> 8-12-08
SCALE	NONE WT

FLANGE SEAL
PCB RECEPTACLE
12 PIN
DT SERIES

ENVELOPE

EP	MATL CODE
	3850 INDUSTRIAL AVE. HEMET, CA 92545
DEUTSCH INDUSTRIAL	
B	1013-006-1206
DWG SIZE	CODE 11139 SHEET OF