

4

3

2

1

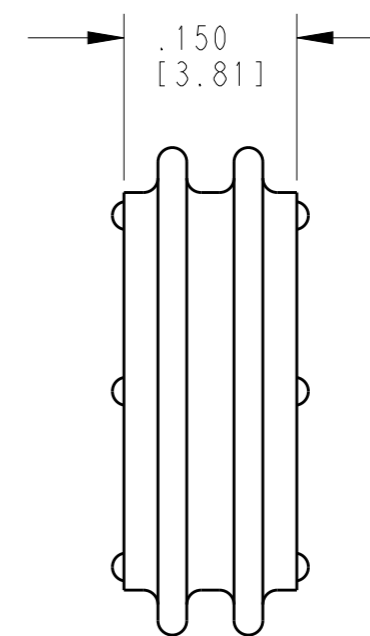
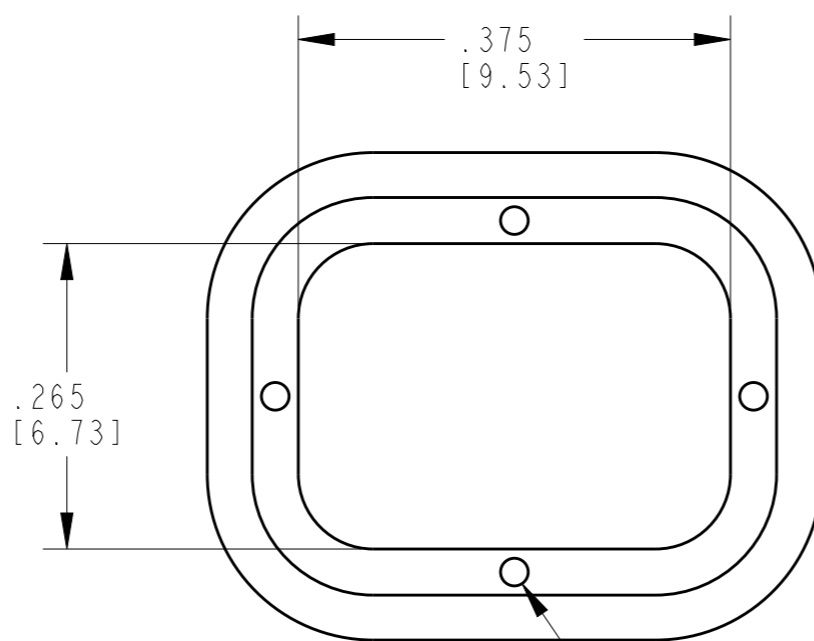
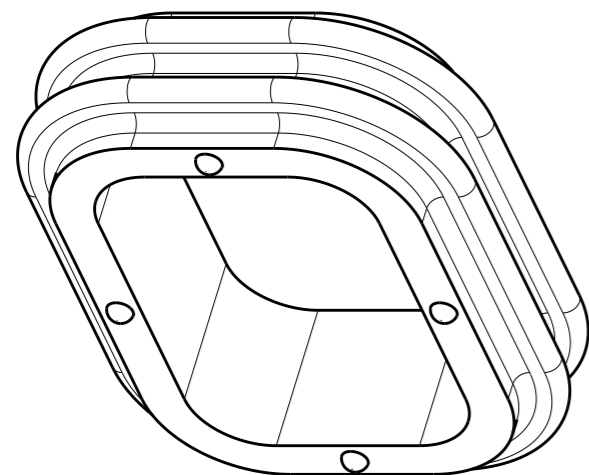
THIS DRAWING IS UNPUBLISHED
© COPYRIGHT 1991 BY TE CONNECTIVITY ALL RIGHTS RESERVED.

RELEASED FOR PUBLICATION 2015

LOC DIST

REVISIONS

P	LTR	DESCRIPTION	DATE	DWN	APVD
	NC	NEW RELEASE PER E.O. A11113	15OCT1990	VT	JA
	A	REVISED AND REDRAWN PER E.O. A13808	15MAR1992	CB	JA
	B	REVISED PER E.O. A13814	04JUN1992	CB	JA
	C	REVISED PER ECO-15-012275	25SEP2015	JA	DM

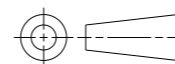


OPTIONAL FEATURE

TE INTERNAL PN	DEUTSCH PN
1010-009-0206	1010-009-0206

THIS DRAWING IS A CONTROLLED DOCUMENT.

DIMENSIONS:
INCHES [mm]



TOLERANCES UNLESS OTHERWISE SPECIFIED:

0 PLC	±
1 PLC	±
2 PLC	±
3 PLC	±.025 [0.64]
4 PLC	±
ANGLES	±0°30'0"

MATERIAL



FINISH

DWN 01NOV1991
VLADIMIR TOMSA
CHK 02JUN1992
CARL BUNKE
APVD 04JUN1992
JEFF ALBERS

PRODUCT SPEC

N/A

APPLICATION SPEC

N/A

WEIGHT

0.20g

NAME

SEAL, FRONT
2 CONTACT PLUG
DT SERIES

SIZE

A3

CAGE CODE

4AFU8

DRAWING NO

1010-009-0206

RESTRICTED TO

-

Customer Drawing

SCALE 6:1

SHEET 1 OF 1

REV C

2 MATERIAL: SILICONE (RED-ORANGE)

1. USED ON PLUG DT06-2S-XXXX.
(XXXX = ALL MODIFICATIONS)

NOTES: UNLESS OTHERWISE SPECIFIED