

4

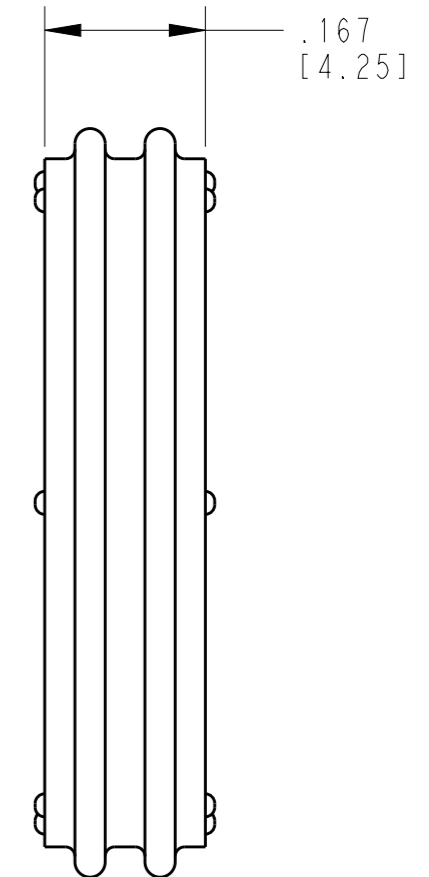
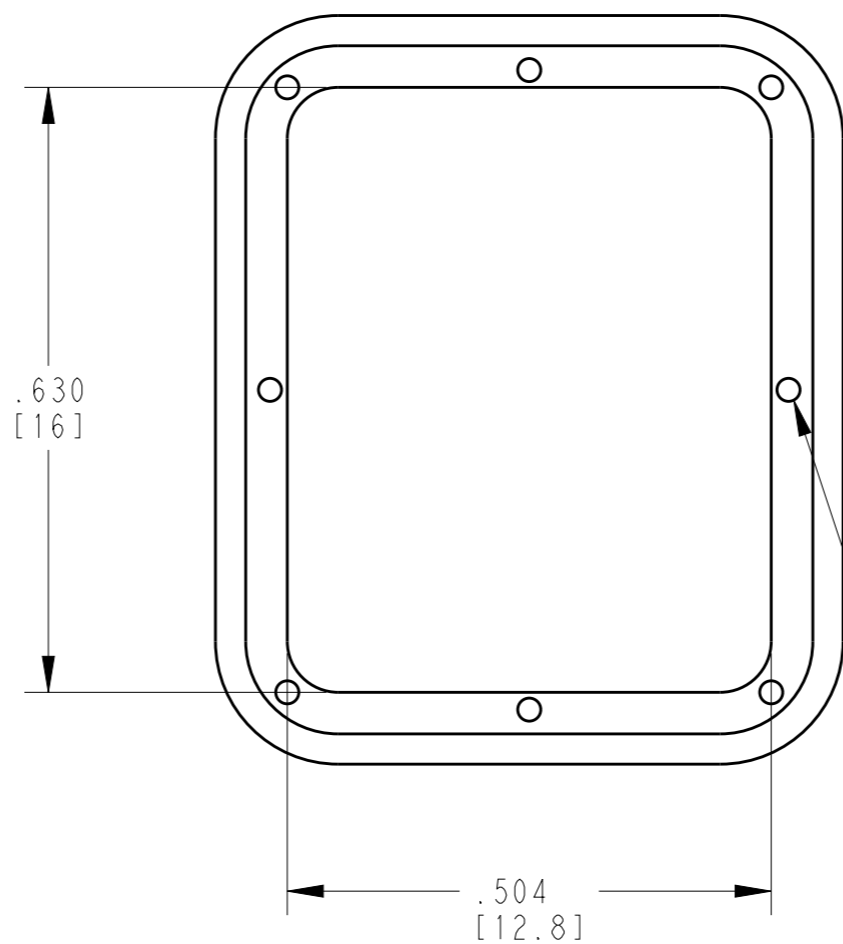
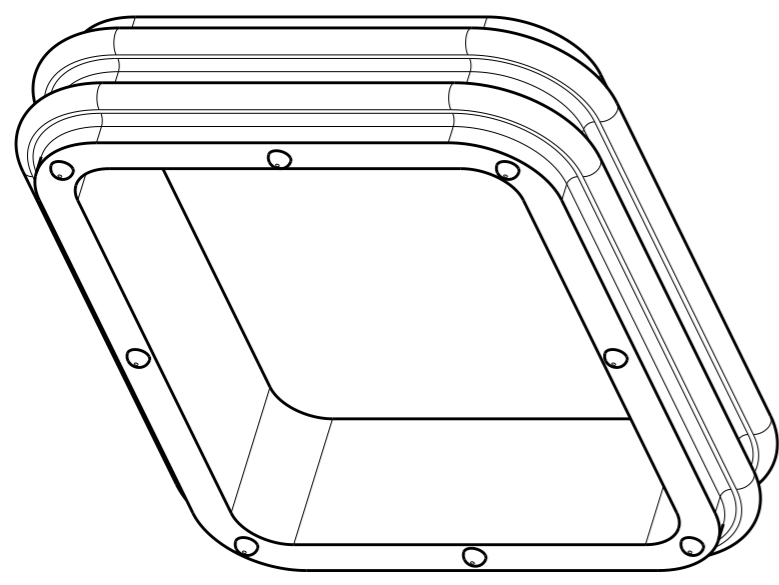
3

2

1


THIS DRAWING IS UNPUBLISHED
 RELEASED FOR PUBLICATION 2015
 © COPYRIGHT 1991 BY TE CONNECTIVITY ALL RIGHTS RESERVED.

LOC		DIST		REVISIONS			
P	LTR	DESCRIPTION	DATE	DWN	APVD		
	B	REVISED PER ECO-16-008493	21MAR2016	SH	DM		
	C	REVISED PER PCN E-16-018032	09JAN2017	DD	DM		



OPTIONAL FEATURE

TE INTERNAL PN	DEUTSCH PN
1010-007-0806	1010-007-0806

THIS DRAWING IS A CONTROLLED DOCUMENT.		DWN	V. TOMSA	01NOV1991	 TE Connectivity
DIMENSIONS: INCHES [mm]		CHK	C. BUNKE	02JUN1992	
TOLERANCES UNLESS OTHERWISE SPECIFIED:		APVD	J. ALBERS	04JUN1992	
0 PLC ± 1 PLC ± 2 PLC ± 3 PLC ±.025 [0.64] 4 PLC ± ANGLES ±0°30'0"		PRODUCT SPEC	N/A		
MATERIAL	FINISH	APPLICATION SPEC	N/A		NAME
1		WEIGHT	4.02g		SEAL, FRONT, STANDARD TYPE 8 CONTACT PLUG DT SERIES
CUSTOMER DRAWING		SIZE	A3	CAGE CODE	4AFU8
		DRAWING NO	1010-007-0806		RESTRICTED TO
		SCALE	5:1		-
		SHEET	1 OF 1		REV
					C

1 MATERIAL: SILICONE (BURNT-ORANGE)

NOTES: UNLESS OTHERWISE SPECIFIED